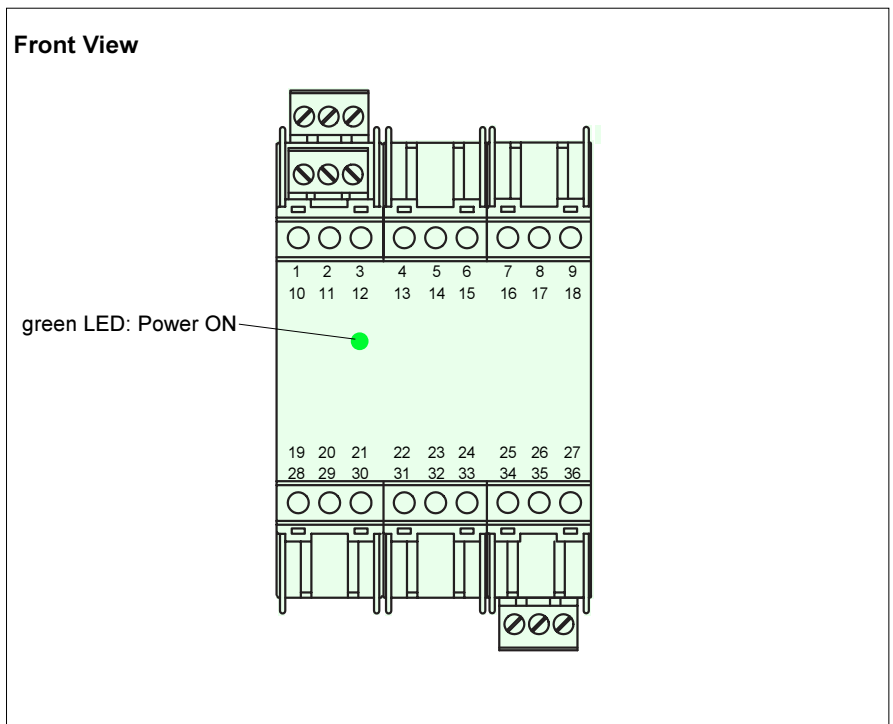
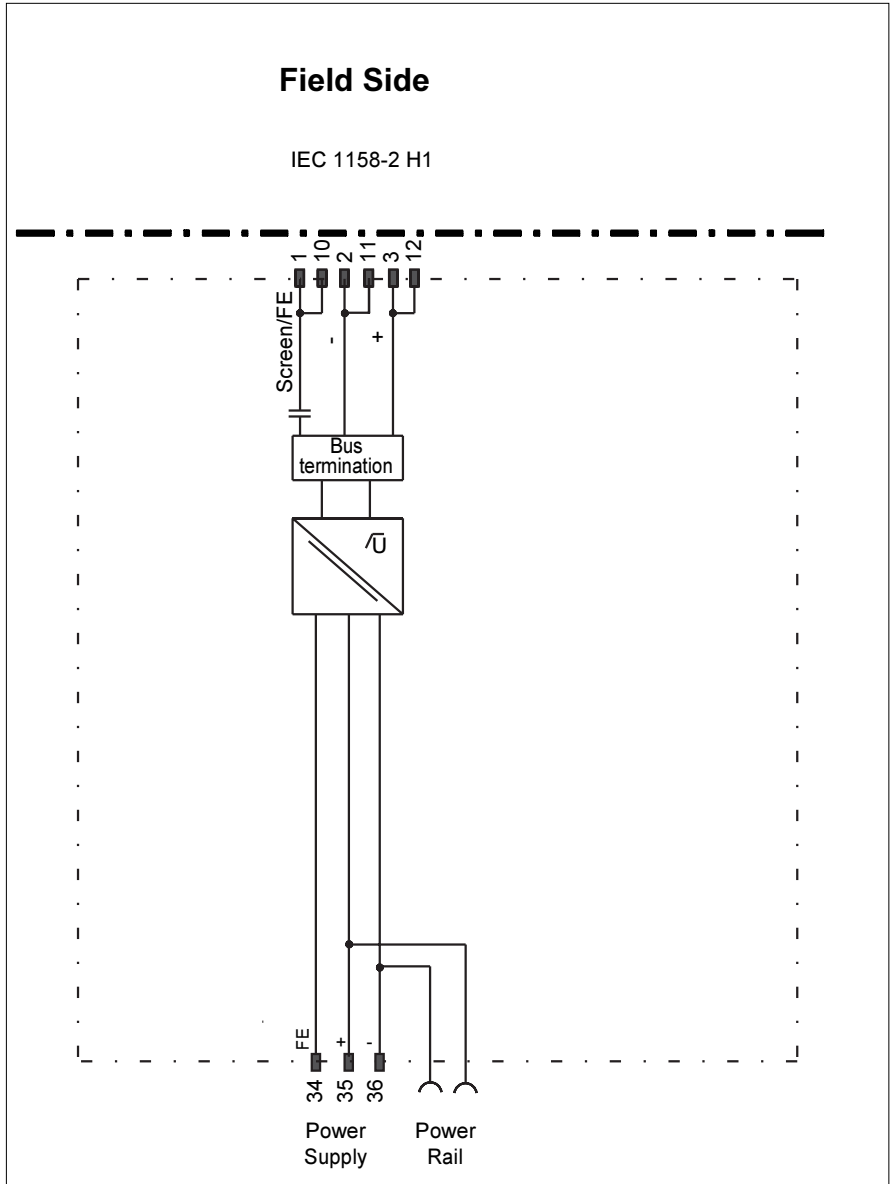


- Fieldbus Power Supply
- For use with Fieldbus in acc. to IEC1158-2, 31,25 kbits/s e.g. Fieldbus Foundation, PROFIBUS PA
- Minimum 400 mA output current for field devices
- Nominal Supply voltage : 24V
- Build in impedance matching network
- Build in Field Bus terminator
- Detachable terminals and power rail
- Power Input on power rail

The KLD2-STR-1.24.400.IEC is a non I.S. field bus power supply. It has an integrated field bus terminator and an integrated impedance matching network to meet the requirement for field bus application. The output voltage is hold constant up to the maximum output current.



Technical data Power supply Nominal voltage Maximum safe voltage U_m Ripple Current consumption	DC 20 V ... 35 V DC 40 V $\leq 10 \%$ 370 ... 740 mA
Output values Nominal voltage U_s Maximum current I_s Terminal impedance	24 ... 26 V 400 mA 100 Ohm, integrated
Galvanic isolation Field segment - Power supply	Function isolation to EN 50 020, rated isolation voltage 50 V _{eff.}
Standards satisfied Climatic conditions EMC Isolation coordinates Fieldbus standards ¹⁾	DIN IEC 60 721-2-1 July 1992 NAMUR NE 21 May 1993 DIN EN 50 081-2 March 1994 DIN EN 50 082-2 February 1996 EN 50 178 April 1998 IEC 1158-2 1993 ISA S 50.02 Part 2 1992
Climatic conditions Class Ambient temperature Storage temperature Protection class to DIN 40 050 High relative air humidity Ambient conditions	In accordance with DIN IEC 721 3K3 253 K ... 333 K (-20 °C ... +60 °C) 233 K ... 358 K (-40 °C ... +85 °C) IP 20 75 % max. degree of pollution 2, in accordance with IEC 664
Mechanical Housing type Fixing Connection options Weight	Modular housing in Makrolon, flammability class to UL 94: V - 0 Can be snapped onto 35 mm support rail to DIN EN 50 022 or wall-mounted Self-opening, detachable terminals, max. conductor cross-section 2.5 mm ² Approx. 600 g
Accessories Power rail PR 05 Power rail UPR05 Power feed modules KFD2-EB.D2A.B KFD2-EB.R2A.B KFD2-EB2.B Fieldbus Terminator KMD0-FT-Ex Fieldbus Repeater Entity KLD2-PR-Ex1-IEC Fieldbus Repeater FISCO KLD2-PR-Ex1-IEC1 Fieldbus Repeater non I.S. KLD2-PR-1.IEC Fieldbus Repeater nonincendive KLD2-PR-NI1-IEC Fieldbus Power Supply nonincendive KLD2-STR-NI1....	Insert component for the standard rail to DIN EN 50022, standard length 500mm continuous insert component for the standard rail to DIN EN 50022, standard length 2 meter supplies power rail with redundant 24 V DC at a max. current of 2 A and field bus signals supplies power rail with 24 V DC at a max. current of 2 A and field bus signals. A second device could be use for redundancy purposes supplies power rail with 24 V DC at a max. current of 4 A and field bus signals. Fault detection signal on power rail. terminates the IEC line. The KMD0-FT-Ex must be connected to the last IEC participant isolated barrier and I.S. power supply with repeater function for devices acc. to the FISCO or Entity model isolated barrier and I.S. power supply with repeater function for devices acc. to the FISCO model non I.S. power supply with repeater function isolated power supply with repeater function for nonincendive field wiring parameters isolated power supply for nonincendive field wiring parameters
1) Maximum propagation delay $6T_{BIT}$ Receive jitter on I.S. side max $2.2 u_{sec}$ Receive jitter on non I.S. side max. $3.0 u_{sec}$ Send jitter on jitter on I.S. side max $1.1 u_{sec}$ Send jitter on non I.S. side max. $1.1 u_{sec}$	

