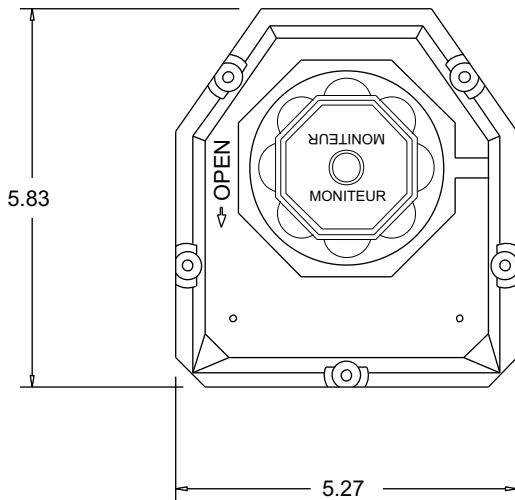


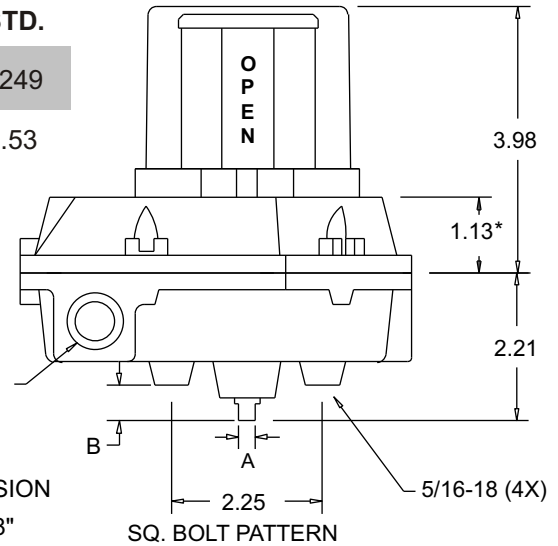
Dimensions

Top View



Side View

	NAMUR	STD.
A	0.156	0.249
B	0.62**	0.53



* - FLAT COVER DIMENSION

** - LONG NAMUR = 1.28"

General Specifications

Nema Rating	4,4x
Housing / Cover	Aluminum
Indicator Cover	Ektar
Seals	BUNA-N
Fasteners	Stainless Steel
Terminal Points	8 to 16 max.
Weight	3.0 lbs.
Operating Temp.	-40° F to 175° F
Agency Approvals	CSA

How To Specify

Valve position transmitter shall be Moniteur model _____. Enclosure shall be aluminum with a polyurethane coating and rated Nema 4, 4x. Visual indicator shall have 100% display change, 360° visibility and full set point adjustability. Indicator cover shall be free of decals or paint and sealed with an O-ring. Enclosure shall have captive cover bolts. Enclosure shaft shall be attached to the housing with an internal stainless steel locking ring, environmentally protected with an O-ring. The switch/sensor type shall be _____. All switches and terminals must be enclosed and marked for identification. Terminal strip must be angle-mounted for easier installation.

Intelligent Part Numbering System - place your part number in the boxes below

F				-			
Series	Cover	Moniteur	Bearing		Shaft	Switch / Quantity	Conduit

Description	Code	Description	Code	Description	Code
Series: Sentinel	A	Shaft		Conduit Connection	
Moniteur		Standard 303 SS	1	2 - 1/2" F NPT	0
With Indicator	M	Standard 316 SS	3	3 - 1/2" F NPT	5
Flat Cover	F	Low Profile NAMUR 303 SS	5	2 - 1/2" F NPT + 1 - 1/2" M NPT	8
Indicator Type (open/closed)		Low Profile NAMUR 316 SS	7	<u>Options</u>	
No Indicator (Flat Cover)	N	NAMUR 303 SS	E	Transmitter 4 - 20mA	- 420
Black / Yellow (Standard)	Y	NAMUR 316 SS	G	Potentiometer 0 - 1k	- 1K
Green / Red	A	<u>Switch/Sensor Package (Switch Code / Quantity)</u>		All Viton Seals	-V
Red / Green	C	(2) Mechanical SPDT 15A-250VAC w/8 Pt TS	12	12 Terminal Points	-12T
0-100% Digital	P	(4) Mechanical SPDT 15A-250VAC w/14 Pt TS	14	16 Terminal Points	-16T
3-Way Path O (90 degree)	O	(2) Mechanical SPDT 0.5A-125 VDC w/8 Pt TS	C2	High Temperature	-HT
3-Way Path T (90 degree)	T	(2) PRISM SPDT Gold Plated 1A-24VDC w/8 Pt TS	32		
3-Way Path F (90 degree)	F	(2) ITW Mechanical DPDT 10A-250VAC w/14 Pt TS	42	Contact Moniteur for additional	
4-Way Path S (90 degree)	S	(2) Tungsten TTL Prox 3A-125 VAC w/8 Pt TS	22	option codes and custom	
180 degree T-port	1	(2) Tungsten TTL HV Prox 0.4A-250 VAC w/8 Pt TS	E2	requirements	
180 degree L-Port - OCOC	5	(2) Rhodium TTL Prox 1A-24VDC w/8 Pt TS	T2		
180 degree L-Port - OCCC	6	(2) P&F NJ2-V3-N, NAMUR w/8 Pt TS	82		
ANSI Green / White	G	(4) P&F NJ2-V3-N, NAMUR w/14 Pt TS	84		
ANSI Blue / White	B	(2) P&F NBB2-V3-US, 2-wire AC/DC w/8 Pt TS	Q2		
ANSI Red / White	R	(2) P&F NBB2-V3-E0, NPN 3-wire DC w/8 Pt TS	M2		
<u>Bearing</u>		(2) P&F NBB2-V3-E2, PNP 3-wire DC w/8 Pt TS	N2		
Bronze w/Loc-Ring	B	(2) P&F NBB3-V3-Z5, NC 2-wire DC w/8 Pt TS	J2		
303 Stainless w/Loc-Ring	S	(2) P&F NBB3-V3-Z4, NO 2 wire DC w/8 Pt TS	K2		