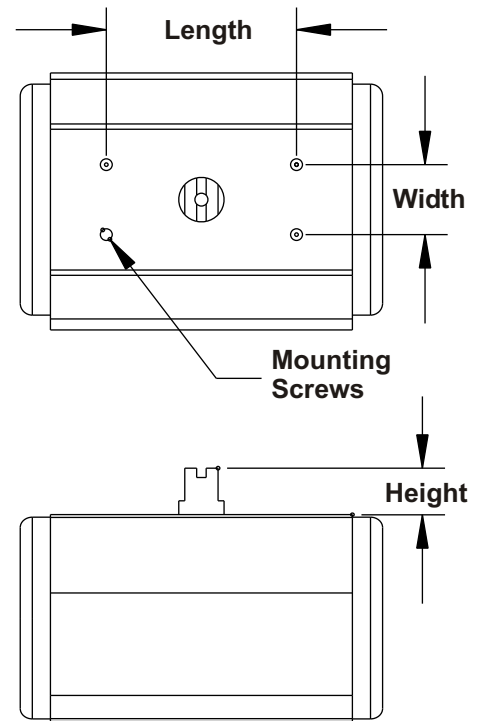
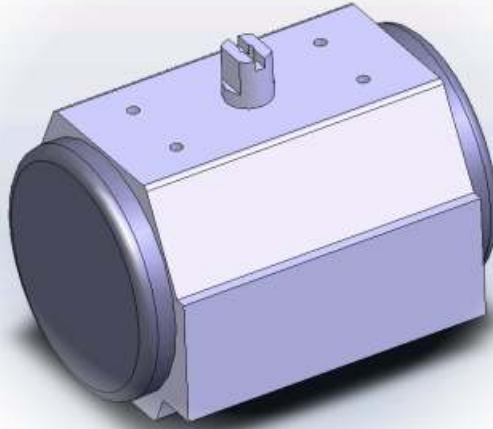


NAMUR Bracket Kits



Moniteur offers a comprehensive selection of bracket kits for every actuator that has NAMUR accessory mounting dimensions. Brackets are available for both Moniteur low-profile and standard NAMUR shaft styles. Plated and Stainless Steel brackets for both types are kept in stock.

Low Profile NAMUR	Standard (Long) NAMUR	Dimensions [mm]			Mounting Screws in Kit
		Length	Width	Height	
BKT-NP120	BKT-EP120	80	30	20	M5 and 10-24
BKT-NP120A	BKT-EP120A	80	30	20	10-32
BKT-NP130	BKT-EP130	130	30	30	M5 and 10-24
BKT-NP151	BKT-EP151	80	30	30	M5 and 10-24
BKT-NP151A	BKT-EP151A	80	30	30	10-32
BKT-NP153	BKT-EP153	80	30	14	M5 and 10-24
BKT-NP153A	BKT-EP153A	80	30	14	10-32
BKT-NP154	BKT-EP154	130	30	33	M5 and 10-24
BKT-NP156	BKT-EP156	50	25	20	M5 and 10-24
BKT-NP161	BKT-EP161	130	30	50	M5 and 10-24
BKT-NP166	BKT-EP166	130	30	20	M5 and 10-24

For Stainless Steel Bracket Kit Part Numbers replace the "P" in the part number with an "S".
Example: BKT-NP120 becomes BKT-NS120.

Moniteur's Engineered Resin Bracket Kit

- ▶ Designed for the 80 x 30 x 20 pattern
- ▶ Kit contains dual O-rings and all-stainless hardware

For Sentinel/Survivor BKT-XP20S - For Watchman BKT-XP20W



Standard Shaft Bracket Kits & Kits for Manual Valves

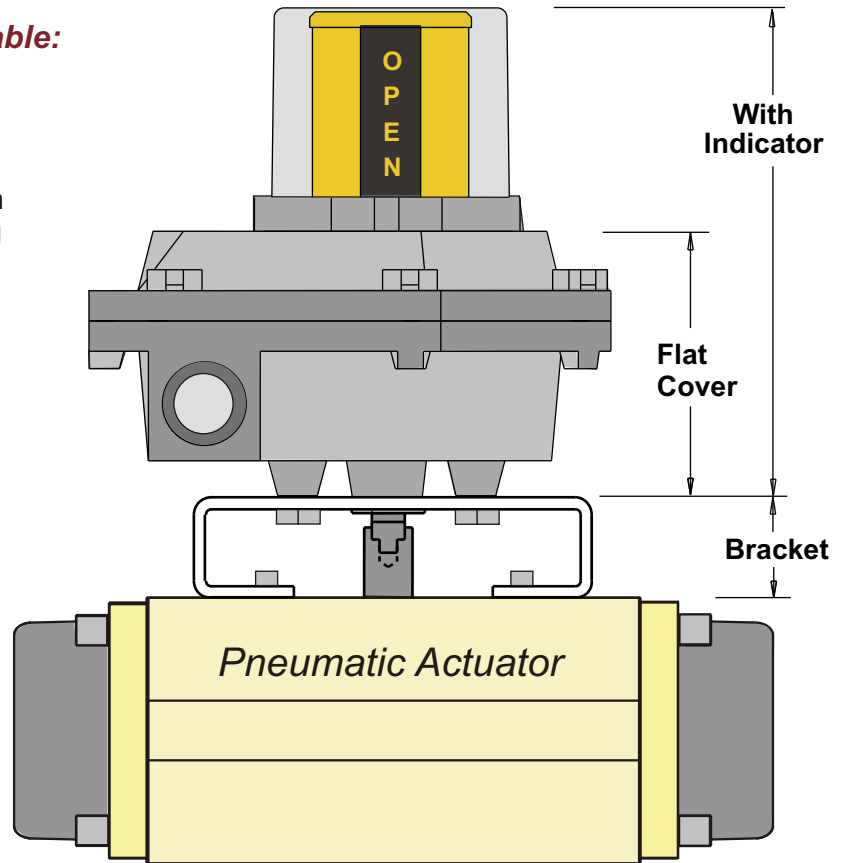
Bracket kits with precision-machined couplers are available to adapt your NAMUR style actuator to a Valve Position Transmitter with a standard shaft (1/4" flats). These brackets are available in both plated and stainless steel. A crossover list with part numbers for your actuator can be found on our website at <http://www.moniteurdevices.com>. *Example:* BKT-RP002. Bracket Kits for Manual Valves, Gear Operators or Linear Valves are also available - Contact Moniteur With Your Application

Two NAMUR Mounting Types Available: Standard and Low-Profile

Moniteur Devices offers two types of NAMUR shafts designed to directly interface (without a transition coupler) with the NAMUR standard accessory mounting pattern found on most of today's actuators. The two are:

- ▶ Moniteur's low profile version has the ordering codes of "5" for the 303 SS version and "7" for the 316 SS version.
- ▶ The standard NAMUR shaft length is also available for compatibility with other manufacturers. The ordering code for this shaft is "E" for the 303 SS version and "G" for the 316 SS version.

The mounting height dimensions for both versions are shown in the table below.



Bracket Height

Mounting Size	Low Profile NAMUR (Shaft Type "5" or "7")	Standard NAMUR (Shaft Type "E" or "G")
80 x 30 x 20 mm	BKT-NP120 1.14"	BKT-EP120 1.79"
80 x 30 x 30 mm	BKT-NP151 1.53"	BKT-EP151 2.19"
130 x 30 x 30 mm	BKT-NP130 1.53"	BKT-EP130 2.19"
130 x 30 x 50 mm	BKT-NP161 2.32"	BKT-EP161 2.97"

Limit Switch Height

Product Type	Flat Cover	With Indicator
Sentinel	3.32"	7.30"
Sentinel-II	4.00"	6.88"
Survivor / Survivor-II	2.92"	6.90"
Watchman	2.81"	6.79"