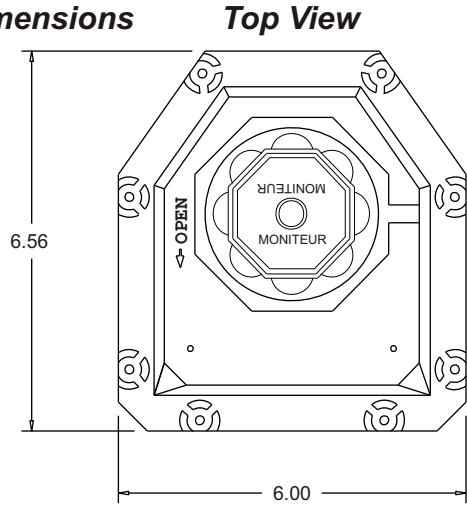


### Dimensions

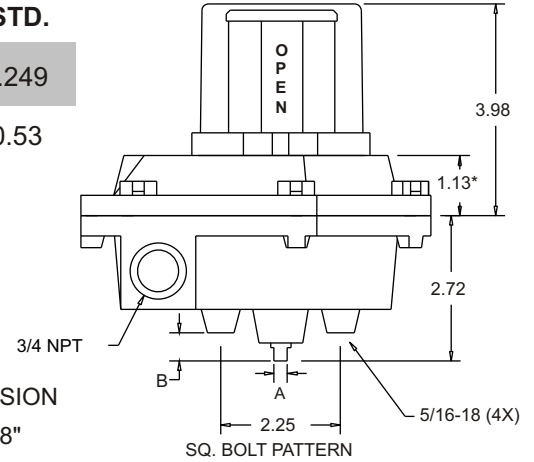


	NAMUR	STD.
A	0.156	0.249
B	0.62**	0.53



\* - FLAT COVER DIMENSION  
\*\* - LONG NAMUR = 1.28"

### Side View



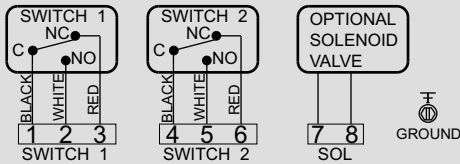
### General Specifications

Nema Rating	4, 4x, 7, 9
Housing / Cover	Aluminum
Indicator Cover	Ektar
Seals	BUNA-N
Fasteners	Stainless Steel
Terminal Points	8
Weight	4.25 lbs.
Operating Temp.	-40° F to 175° F

### How To Specify

Valve position transmitter shall be Moniteur model AMYB-E220/AMYB-5220/AMYB-1220. Enclosure shall be aluminum with a polyurethane coating and rated Nema 4, 4x, 7, 9. Visual indicator shall have 100% display change, 360° visibility and full set point adjustability. Indicator cover shall be free of decals or paint and sealed with an O-ring. Enclosure shall have captive cover bolts. Enclosure shaft shall be attached to a sintered brass housing bearing with an internal stainless steel locking ring, environmentally protected with an O-ring. The switch/sensor type shall be Tungsten TTL Proximity Type rated 3A - 125 VAC / 2A - 24VDC. All switches and terminals must be enclosed and individually marked for identification. Terminal strip must be angle-

### Wiring Diagram



### Agency Approvals: UL for

Class 1, Division 1, Groups C & D  
Class 1, Division 2, Groups A & B  
Class 2, Division 1 and 2, Groups E, F, G

### Part Number Description



Description	Code	Description	Code	Description	Code
<b>Series: Sentinel</b>	A	<b>Shaft</b>		<b>Switch Quantity</b>	2
<b>Cover</b>		Standard Shaft	1	<b>Conduit</b>	
With Moniteur	M	Low Profile NAMUR 303 SS	5	(2) 3/4" F NPT	0
<b>Moniteur</b>		NAMUR 303 SS	E		
Black / Yellow	Y	<b>Switch Type</b>			
<b>Bearing</b>		Tungsten TTL			
Bronze	B	Hermetically Sealed			
		Non-Contact 3A - 125 VAC /			
		2A - 24VDC	2		