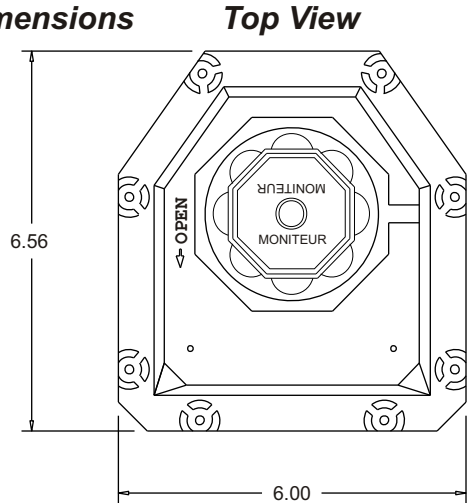


Moniteur

SENTINEL VPT Specification AMYB-1260 / AMYB-5260 / AMYB-E260

Dimensions

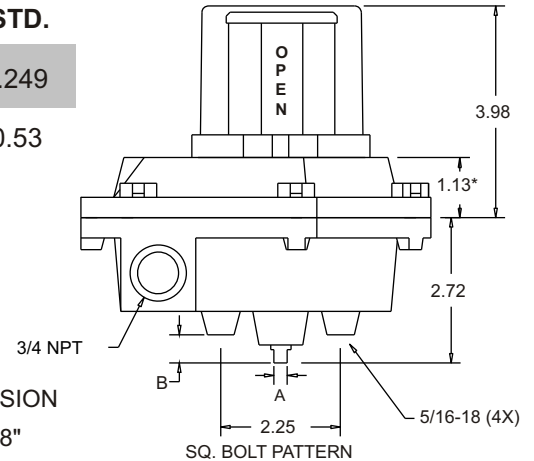


	NAMUR	STD.
A	0.156	0.249
B	0.62**	0.53



* - FLAT COVER DIMENSION
** - LONG NAMUR = 1.28"

Side View



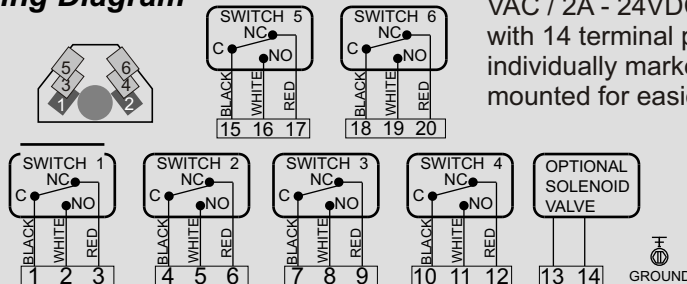
General Specifications

Nema Rating	4, 4x, 7, 9
Housing / Cover	Aluminum
Indicator Cover	Ektar
Seals	BUNA-N
Fasteners	Stainless Steel
Terminal Points	26
Weight	4.25 lbs.
Operating Temp.	-40° F to 175° F

How To Specify

Valve position transmitter shall be Moniteur model AMYB-E260/AMYB-5260/AMYB-1260. Enclosure shall be aluminum with a polyurethane coating and rated Nema 4, 4x, 7, 9. Visual indicator shall have 100% display change, 360° visibility and full set point adjustability. Indicator cover shall be free of decals or paint and sealed with an O-ring. Enclosure shall have captive cover bolts. Enclosure shaft shall be attached to a sintered brass housing bearing with an internal stainless steel locking ring, environmentally protected with an O-ring. The switch/sensor type shall be Tungsten TTL Proximity Type rated 3A - 125 VAC / 2A - 24VDC. A total of six (6) switches shall be included along with 14 terminal points. All switches and terminals must be enclosed and individually marked for identification. Terminal strip must be angle-mounted for easier installation.

Wiring Diagram



Agency Approvals: UL for

Class 1, Division 1, Groups C & D
Class 1, Division 2, Groups A & B
Class 2, Division 1 and 2, Groups E, F, G



Description	Code	Description	Code	Description	Code
Series: Sentinel	A	Shaft		Switch Quantity	6
Cover		Standard Shaft	1	Conduit	
With Moniteur	M	Low Profile NAMUR 303 SS	5	(2) 3/4" F NPT	0
Moniteur		NAMUR 303 SS	E		
Black / Yellow	Y	Switch Type			
Bearing		Tungsten TTL			
Bronze	B	Hermetically Sealed			
		Non-Contact 3A - 125 VAC /			
		2A - 24VDC	2		