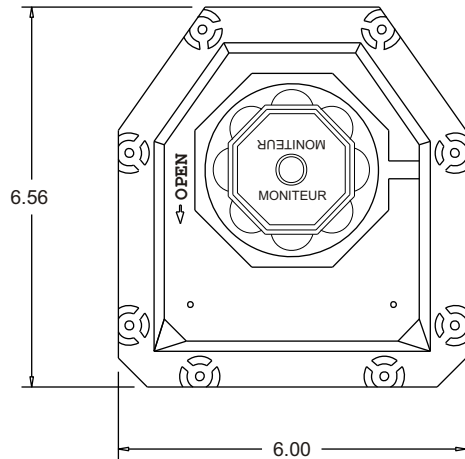
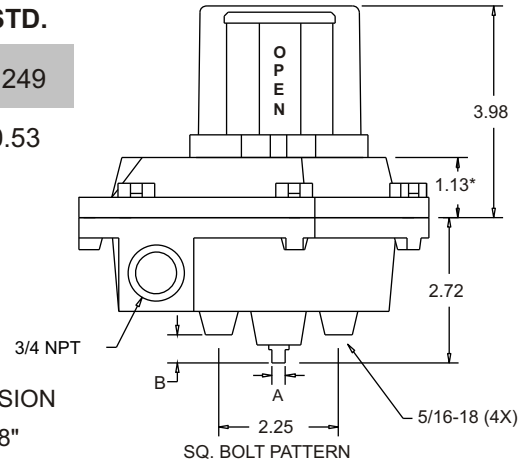


Dimensions

Top View



Side View



	NAMUR	STD.
A	0.156	0.249
B	0.62**	0.53



* - FLAT COVER DIMENSION

** - LONG NAMUR = 1.28"

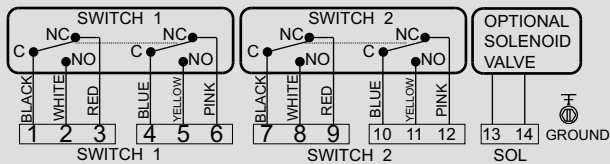
General Specifications

Nema Rating	4, 4x, 7, 9
Housing / Cover	Aluminum
Indicator Cover	Ektar
Seals	BUNA-N
Fasteners	Stainless Steel
Terminal Points	14
Weight	4.25 lbs.
Operating Temp.	-40° F to 175° F

How To Specify

Valve position transmitter shall be Moniteur model AMYB-1420/5420/E420. Enclosure shall be aluminum with a polyurethane coating and rated Nema 4, 4x, 7, 9. Visual indicator shall have 100% display change, 360° visibility and full set point adjustability. Indicator cover shall be free of decals or paint and sealed with an O-ring. Enclosure shall have captive cover bolts. Enclosure shaft shall be attached to a sintered bronze housing bearing with an internal stainless steel locking ring, environmentally protected with an O-ring. The switch/sensor type shall be ITW DPDT Mechanical rated 10A/250VAC - 7A/24 VDC. All switches and terminals must be enclosed and individually marked for identification. Terminal strip must be angle-mounted for easier installation.

Wiring Diagram



Agency Approvals: UL and CSA
Class 1, Division 1 & 2, Group C & D
Class 2, Division 1 & 2, Group E, F, G

Part Number Description



Description	Code	Description	Code	Description	Code
Series: Sentinel	A	Shaft		Switch Quantity	2
Cover		Standard 303 SS - 1/4" Flats	1	Conduit	
With Moniteur	M	Low Profile NAMUR 303 SS	5	(2) 3/4" F NPT	0
Moniteur		Standard NAMUR 303 SS	E		
Black / Yellow	Y	Switch Type			
Bearing		ITW Mechanical DPDT			
Sintered Bronze	B	rated 10A/250VAC -			
		7A/24VDC	4		