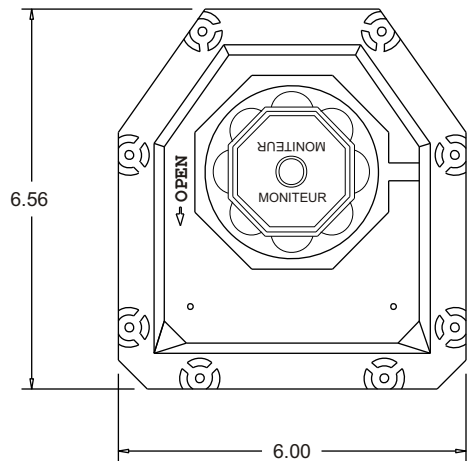


Dimensions Top View

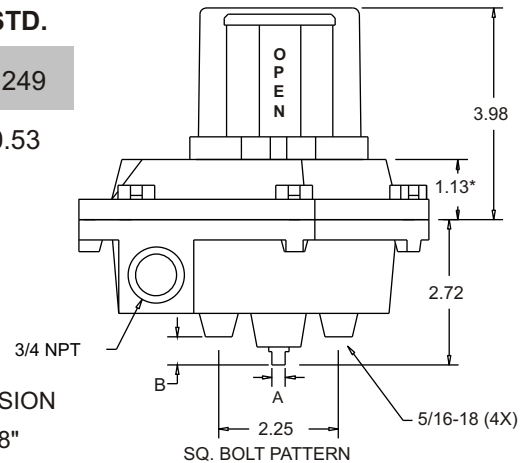


| | NAMUR | STD. |
|---|--------|-------|
| A | 0.156 | 0.249 |
| B | 0.62** | 0.53 |



* - FLAT COVER DIMENSION
** - LONG NAMUR = 1.28"

Side View



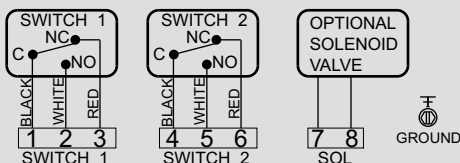
General Specifications

| | |
|-----------------|------------------|
| Nema Rating | 4, 4x, 7, 9 |
| Housing / Cover | Aluminum |
| Indicator Cover | Ektar |
| Seals | BUNA-N |
| Fasteners | Stainless Steel |
| Terminal Points | 8 |
| Weight | 4.25 lbs. |
| Operating Temp. | -40° F to 175° F |

How To Specify

Valve position transmitter shall be Moniteur model AMYB-1520/5520/E120. Enclosure shall be aluminum with a polyurethane coating and rated Nema 4, 4x, 7, 9. Visual indicator shall have 100% display change, 360° visibility and full set point adjustability. Indicator cover shall be free of decals or paint and sealed with an O-ring. Enclosure shall have captive cover bolts. Enclosure shaft shall be attached to a sintered brass housing bearing with an internal stainless steel locking ring, environmentally protected with an O-ring. The switch/sensor type shall be GO Leverless Limit Switch Series 35 rated 4A/120VAC - 3A/24VDC. All switches and terminals must be enclosed and individually marked for identification. Terminal strip must be angle-mounted for easier installation.

Wiring Diagram



Agency Approvals: UL and CSA
Class 1, Division 1 & 2, Group C & D
Class 2, Division 1 & 2, Group E, F, G

Part Number Description



| Description | Code | Description | Code | Description | Code |
|-------------------------|------|-----------------------------|------|------------------------|------|
| Series: Sentinel | A | Shaft | | Switch Quantity | 2 |
| Cover | | Standard 303 SS, 1/4" flats | 1 | Conduit | |
| With Moniteur | M | Low Profile NAMUR 303 SS | 5 | (2) 3/4" F NPT | 0 |
| Moniteur | | Standard NAMUR 303 SS | E | | |
| Black / Yellow | Y | Switch Type | | | |
| Bearing | | GO Leverless Limit | | | |
| Bronze | B | Switch Series 35 | | | |
| | | 4A/120 VAC - 3A/24VDC | 5 | | |