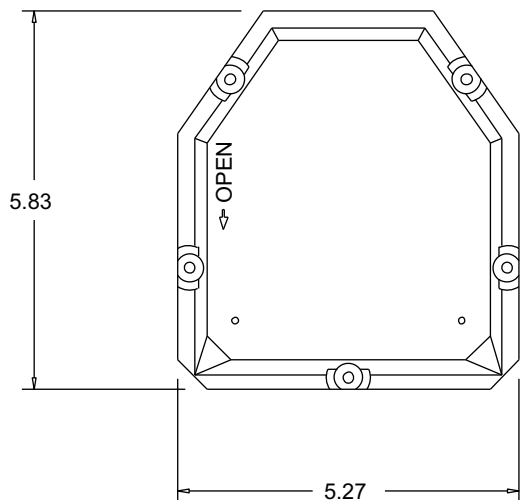


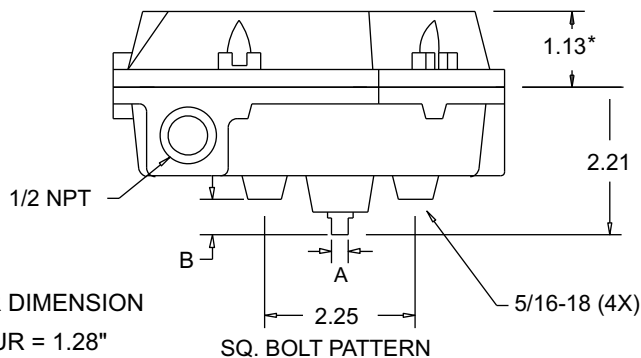
### Dimensions

### Top View



### Side View

	NAMUR	STD.
A	0.156	0.249
B	0.62**	0.53



\* - FLAT COVER DIMENSION  
\*\* - LONG NAMUR = 1.28"

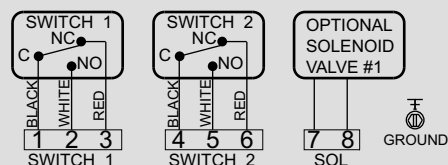
### General Specifications

Nema Rating	4, 4x, 7, 9
Housing / Cover	Aluminum
Indicator Cover	Ektar
Seals	BUNA-N
Fasteners	Stainless Steel
Terminal Points	8
Weight	4.25 lbs.
Operating Temp.	-40° F to 175° F
Agency Approvals	CSA

### How To Specify

Valve position transmitter shall be Moniteur model FFNB-1T20/5T20/ET20. Enclosure shall be aluminum with a polyurethane coating and rated Nema 4, 4x. Enclosure shall have captive cover bolts. Enclosure shaft shall be attached to a Stainless Steel housing bearing with an internal stainless steel locking ring, environmentally protected with an O-ring. The switch type shall be Rhodium TTL Proximity SPDT rated 1A/125VAC - 1A/24VDC. A total of two (2) switches shall be included along with eight terminal points. All switches and terminals must be enclosed and marked for simple identification.

### Wiring Diagram



Agency Approvals  
CSA General Purpose

### Part Number Description



Description	Code	Description	Code	Description	Code
<b>Series: Watchman</b>	F	<b>Shaft</b>		<b>Switch Quantity</b>	2
<b>Cover</b>		Standard 303 SS - 1/4" Flats	1	<b>Conduit</b>	
Flat (No Indicator)	F	Low Profile NAMUR 303 SS	5	(2) 1/2" F NPT	0
<b>Moniteur</b>		Standard NAMUR 303 SS	E		
None	N	<b>Switch Type</b>			
<b>Bearing</b>		Rhodium TTL SPDT			
Sintered Bronze	B	rated 1A/125VAC -			
		1A/24VDC	T		