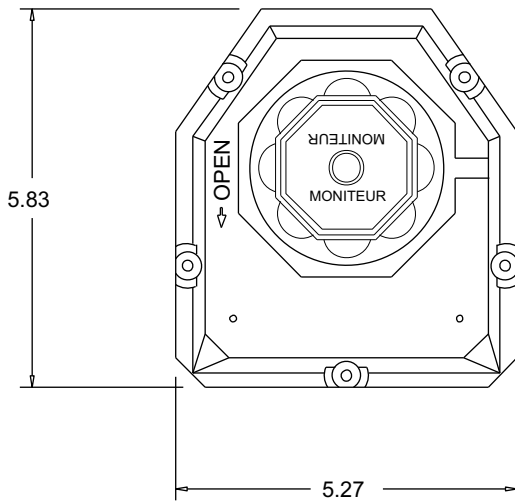
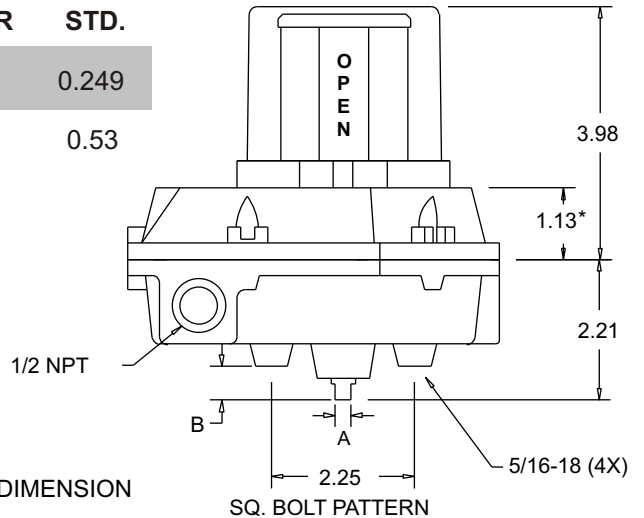


Dimensions

Top View



Side View



	NAMUR	STD.
A	0.156	0.249
B	1.28"	0.53



* - FLAT COVER DIMENSION

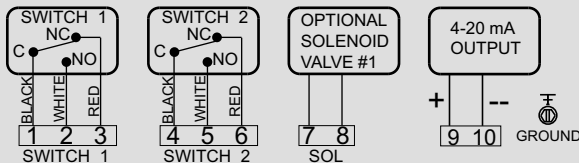
General Specifications

Nema Rating	4, 4x
Housing / Cover	Aluminum
Indicator Cover	Ektar
Seals	BUNA-N
Fasteners	Stainless Steel
Terminal Points	12
Weight	4.25 lbs.
Operating Temp.	-40° F to 175° F

How To Specify

Valve position transmitter shall be Moniteur model FMYB-1120/5120/E120-420. Enclosure shall be aluminum with a polyurethane coating and rated Nema 4, 4x, 7 & 9. Visual indicator shall have 100% display change, 360° visibility and full set point adjustability. Indicator cover shall be free of decals or paint and sealed with an O-ring. Enclosure shall have captive cover bolts. Enclosure shaft shall be attached to a sintered bronze housing bearing with an internal stainless steel locking ring, environmentally protected with an O-ring. The switch type shall be Cherry Mechanical SPDT rated 15A @ 125VAC - 2.5A @ 24 VDC. A total of two (2) switches shall be included along with twelve terminal points and one 4-20 mA position feedback transmitter. All switches and terminals must be enclosed and marked for simple identification.

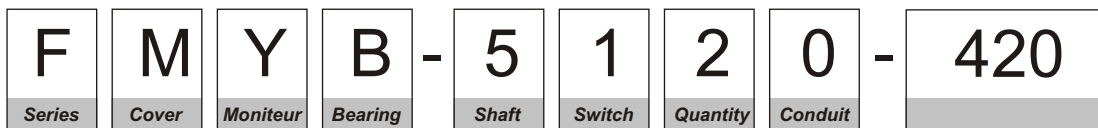
Wiring Diagram



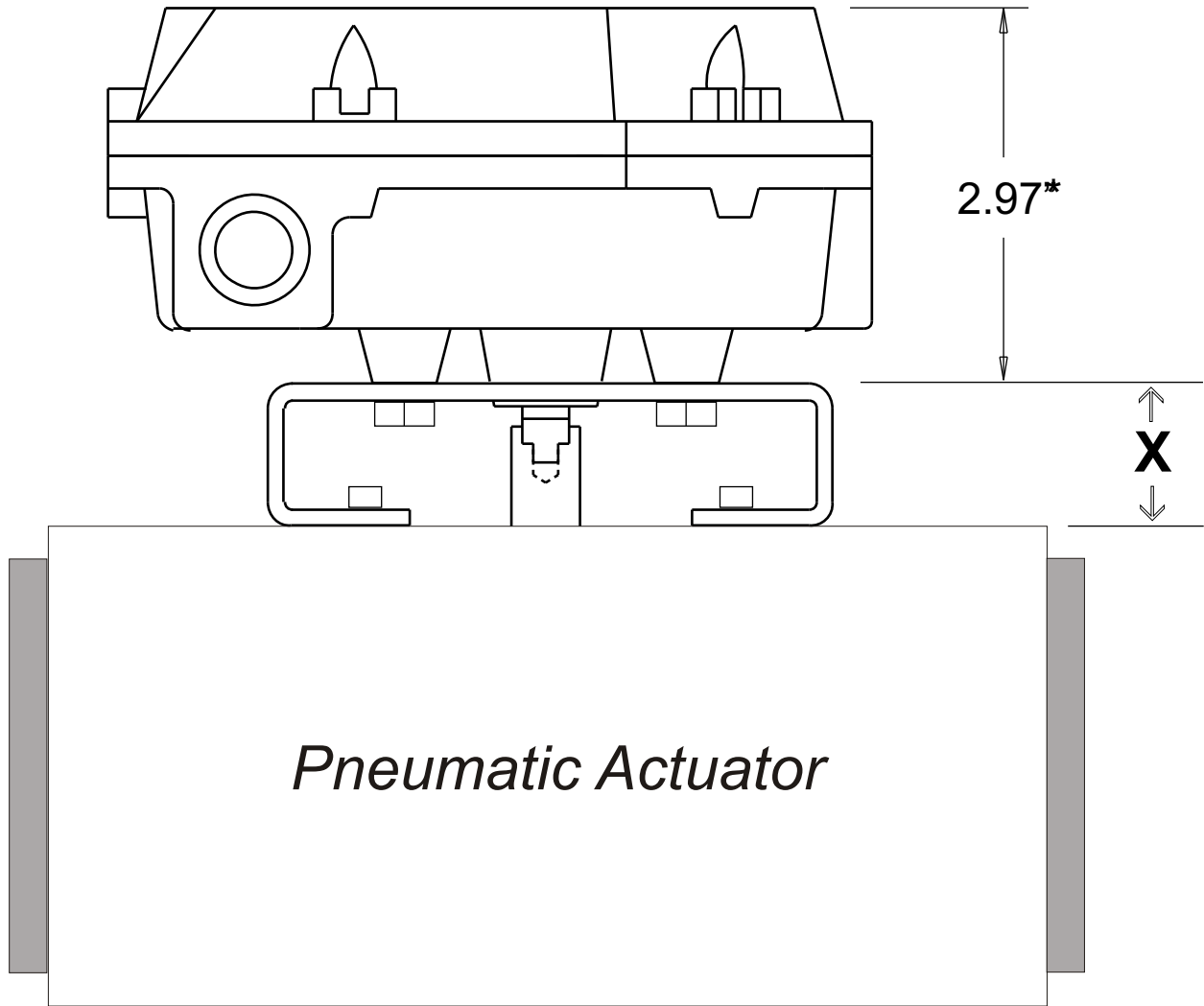
Specifications - 4-20mA Output

Power Supply Rating	10 - 38 VDC loop power
Recommended Power Supply	24 VDC
Output Signal	4 - 20 mA
Load Impedance	0 - 1000 ohms at 24 VDC
Max. Output	55 mA DC
Rotation Range	80° - 105°
Linearity	+/- 1.0% of full scale
Hysteresis	0.55% of full scale
Repeatability	+/- 0.3% of full scale
Environmental protection	conformal coating

Part Number Description



Description	Code	Description	Code	Description	Code
Series: Watchman	A	Shaft		Switch Quantity	2
Cover: With Moniteur	M	Standard 303 SS - 1/4" Flats	1	Conduit	
Moniteur: Black / Yellow	Y	Low Profile NAMUR 303 SS	5	(2) 1/2" F NPT	0
Bearing: Sintered Bronze	B	Standard NAMUR 303 SS	E	Output	
		Switch Type		4-20mA Transmitter	-420
		Cherry Mechanical SPDT	1		
		rated 15A/250VAC - 2.5A/24VDC			



Mounting Size

"X"

80 x 30 x 20 mm	1.14"
80 x 30 x 30 mm	1.53
130 x 30 x 30 mm	1.53
130 x 30 x 50 mm	2.32"