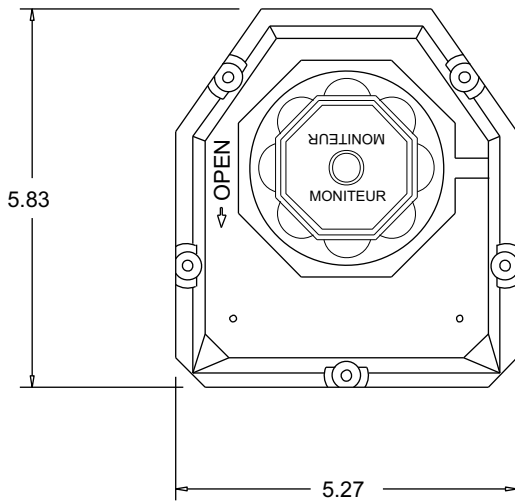


Dimensions

Top View

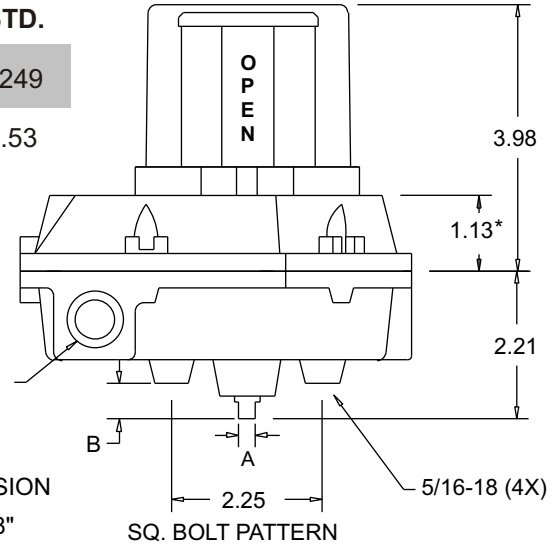


Side View

	NAMUR	STD.
A	0.156	0.249
B	0.62**	0.53



1/2 NPT



* - FLAT COVER DIMENSION

** - LONG NAMUR = 1.28"

General Specifications

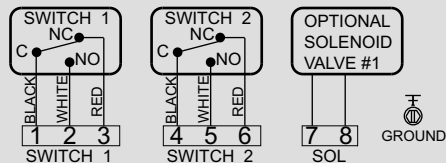
Nema Rating	4, 4x, 7, 9
Housing / Cover	Aluminum
Indicator Cover	Ektar
Seals	BUNA-N
Fasteners	Stainless Steel
Terminal Points	8
Weight	4.25 lbs.
Operating Temp.	-40° F to 175° F
Agency Approvals	CSA

How To Specify

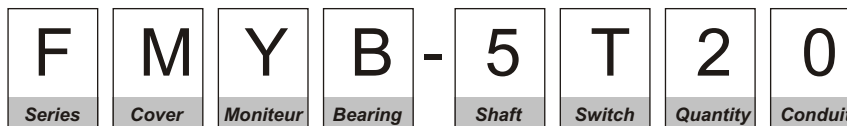
Valve position transmitter shall be Moniteur model FMYB-1T20 / FMYB-5T20 / FMYB-ET20. Enclosure shall be aluminum with a polyurethane coating and rated Nema 4, 4x. Visual indicator shall have 100% display change, 360° visibility and full set point adjustability. Indicator cover shall be free of decals or paint and sealed with an O-ring. Enclosure shall have captive cover bolts. Enclosure shaft shall be attached to a Stainless Steel housing bearing with an internal stainless steel locking ring, environmentally protected with an O-ring. The switch type shall be Rhodium TTL Proximity SPDT rated 1A/125VAC - 1A/24VDC. A total of two (2) switches shall be included along with eight terminal points. All switches and terminals must be enclosed and marked for simple identification.

Agency Approvals
CSA General Purpose

Wiring Diagram



Part Number Description



Description	Code	Description	Code	Description	Code
Series: Watchman	F	Shaft		Switch Quantity	2
Cover		Standard 303 SS - 1/4" Flats	1	Conduit	
With Moniteur	M	Low Profile NAMUR 303 SS	5	(2) 1/2" F NPT	0
Moniteur		Standard NAMUR 303 SS	E		
Black / Yellow	Y	Switch Type			
Bearing		Rhodium TTL SPDT			
Sintered Bronze	B	rated 1A/125VAC -			
		1A/24VDC	T		