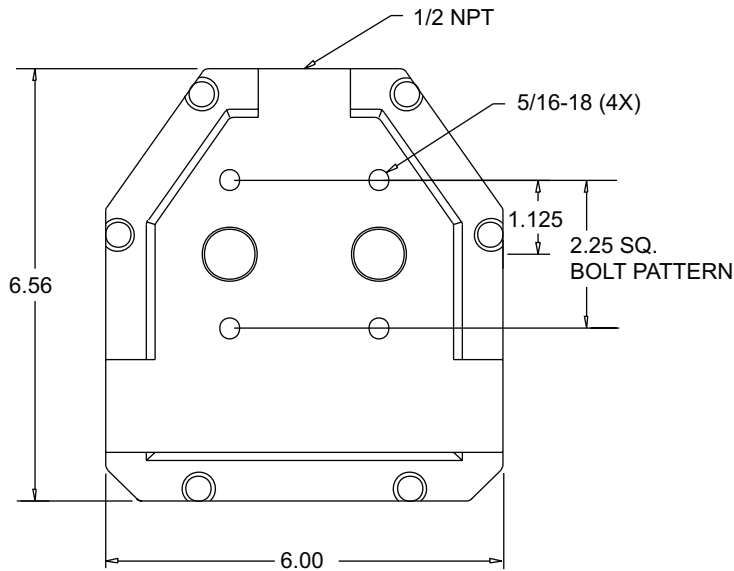
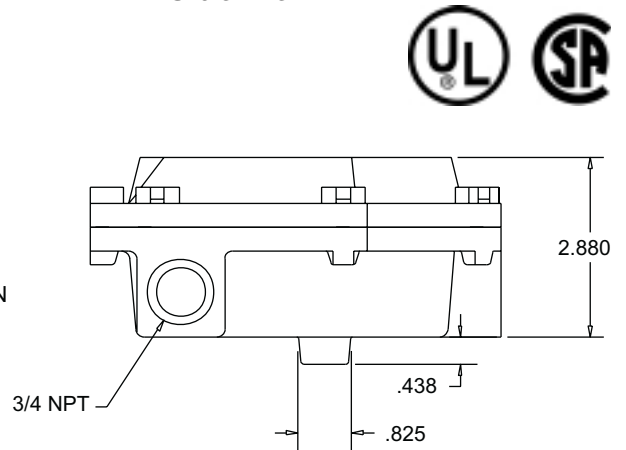


## Dimensions

## Top View



## Side View



## General Specifications

Nema Rating	4, 4x, 7, 9
Housing / Cover	Aluminum
Seals	BUNA-N
Fasteners	Stainless Steel
Terminal Points	12
Weight	4.0 lbs.
Operating Temp.	-40° F to 175° F
(Optional)	-40° F to 250° F
Agency Approvals	UL and CSA

## How To Specify

Valve position transmitter shall be Moniteur model \_\_\_\_\_. Enclosure shall be aluminum with a polyurethane coating and rated Nema 4, 4x, 7, 9. (Nema 4, 4x with inductive sensors). Enclosure shall have captive cover bolts. The switch/sensor type shall be \_\_\_\_\_. All switches shall be fully enclosed and protected within the housing. All switches and terminals must be enclosed and marked for identification. Terminal strip must be angle-mounted for easier installation.

## Hazardous Area Ratings

**TTL switches only :** Class 1, Group A & B - Division 2  
 Class 1, Group C & D - Division 1 & 2, Class 2, Group E, F, G - Division 1 & 2

## Intelligent Part Numbering System - place your part number in the boxes below



<u>Description</u>	<u>Code</u>	<u>Description</u>	<u>Code</u>	<u>Description</u>	<u>Code</u>
<b>Series: Guardian</b>	K	<b>Switch Type</b>		<b>Switch Quantity</b>	1-2
<b>Cover</b> Flat Cover (No Moniteur)	F	Tungsten TTL 3A		<b>Conduit</b> (2) 3/4" NPT + (1) 1/2" NPT	6
<b>Moniteur</b> No Indicator	N	SPDT Non-Contact	2	<b>Options</b> (add suffix)	
<b>Bearing</b> No Bearing	N	Rhodium TTL 1A	T	NEMA 6P rating	-6P
<b>Shaft</b> No Shaft	N	SPDT Non-Contact	B	(no UL/CSA)	
		Bifurcated TTL	P	High Temperature (to 250°F)	-T2
		P&F	M	(no UL/CSA)	
		Inductive Sensor			
		Moniteur			
		Inductive Sensor			