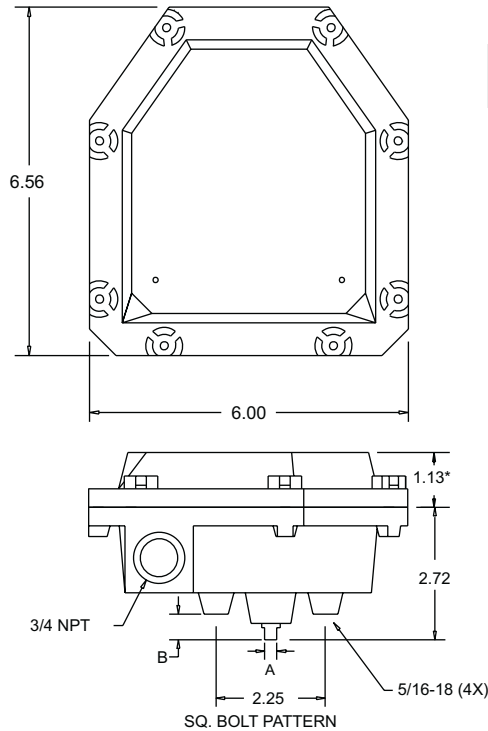


Moniteur

High Temperature VPTs

Dimensions Sentinel

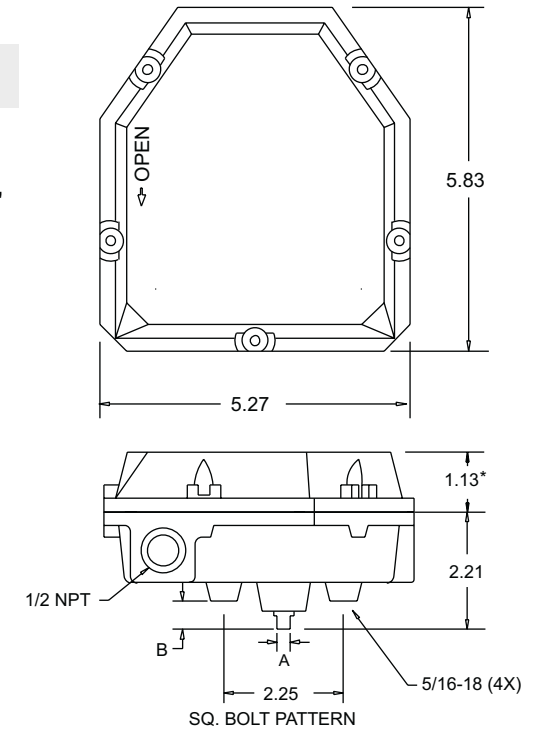


NAMUR STD.

A	0.156	0.249
B	0.62**	0.53

** - LONG NAMUR = 1.28"

Dimensions Watchman



Specifications - 212° Rating - (suffix T1)

Nema Rating	(Watchman) 4, 4x (Sentinel) 4, 4x, 7, 9
Housing / Cover	Aluminum
Seals	BUNA-N
Fasteners	Stainless Steel
Terminal Points	8
Operating Temp.	-40° F to 212° F

Specifications - 250° Rating - (suffix T2)

Nema Rating	(Watchman) 4, 4x (Sentinel) 4, 4x, 7, 9
Housing / Cover	Aluminum
Seals	Viton
Fasteners	Stainless Steel
Terminal Points	8 screw-down
Operating Temp.	-40° F to 250° F

Intelligent Part Numbering System - place your part number in the boxes below

A				-					-		
Series	Cover	Moniteur	Bearing		Shaft	Switch	Quantity	Conduit		Rating	

Description	Code	Description	Code	Description	Code
Series:		Shaft		Switch Quantity	1-4
Sentinel	A	Standard 303 SS	1	Conduit (Watchman)	
Watchman	F	Standard 316 SS	3	(2) 1/2" NPT	0
Cover		NAMUR 303 SS	5	(3) 1/2" NPT	6
Flat Cover (No Moniteur)	F	NAMUR 316 SS	7	Conduit (Sentinel)	
Moniteur		Long NAMUR 303 SS	E	(2) 3/4" F NPT	0
No Indicator	N	Switch Type		(2) 3/4" F NPT + (1) 1/2" F NPT	6
Bearing		Cherry 15A		Temperature Rating	
Bronze	B	SPDT Mechanical	1	212° F (Mech. switches)	-T1
303 Stainless Steel	S	Tungsten TTL 3A		250° F (TTL switches)	-T2
		SPDT Non-Contact	2		
		Rhodium TTL 1A			
		SPDT Non-Contact	T		