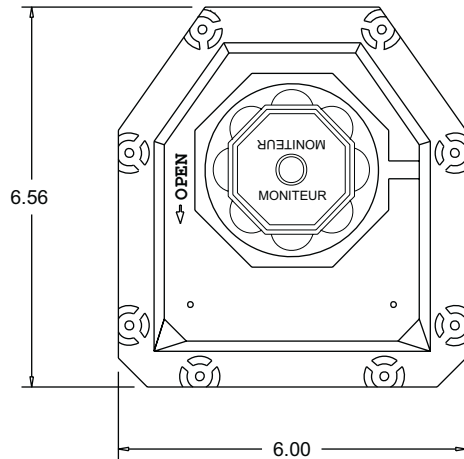


# Moniteur

# SENTINEL VPT

## Dimensions

### Top View



### NAMUR STD.

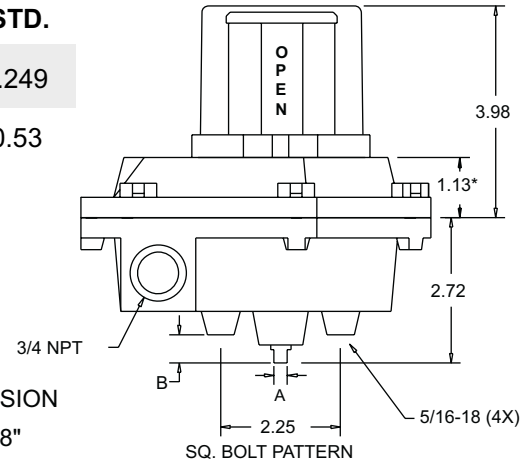
A	0.156	0.249
B	0.62**	0.53



\* - FLAT COVER DIMENSION

\*\* - LONG NAMUR = 1.28"

### Side View



## General Specifications

Nema Rating	4, 4x, 7, 9
Housing / Cover	Aluminum
Indicator Cover	Ektar
Seals	BUNA-N
Fasteners	Stainless Steel
Terminal Points	8
Weight	4.25 lbs.
Operating Temp.	-40° F to 175° F
Agency Approvals	UL and CSA

## How To Specify

Valve position transmitter shall be Moniteur model \_\_\_\_\_. Enclosure shall be aluminum with a polyurethane coating and rated Nema 4, 4x, 7, 9. Visual indicator shall have 100% display change, 360° visibility and full set point adjustability. Indicator cover shall be free of decals or paint and sealed with an O-ring. Enclosure shall have captive cover bolts. Enclosure shaft shall be attached to the housing with an internal stainless steel locking ring, environmentally protected with an O-ring. The switch/sensor type shall be \_\_\_\_\_. All switches and terminals must be enclosed and marked for identification. Terminal strip must be angle-mounted for easier installation.

## Hazardous Area Ratings

**Mechanical Switches:** Class 1, Group C & D - Division 1 & 2, Class 2, Group E, F, G - Division 1 & 2  
**TTL Switches:** same as for mechanical, plus Class 1, Group A & B - Division 2

## Intelligent Part Numbering System - place your part number in the boxes below

<b>A</b>							
Series	Cover	Moniteur	Bearing	Shaft	Switch	Quantity	Conduit

### Description

<b>Series: Sentinel</b>	A
<b>Cover</b>	
With Moniteur	M
Flat Cover (No Moniteur)	F
<b>Moniteur</b>	
No Indicator	N
Black / Yellow	Y
3-Way Path O, T, F	O, T, F
4-Way Path	S
180 degree	1
120 degree	3
Green / White	G
Red / White	R
Blue / White	B
Green / Red	A
Red / Green	C
0-100%	P

### Description

<b>Bearing</b>	
Bronze	B
303 Stainless Steel	S
<b>Shaft</b>	
Standard 303 SS	1
Standard 316 SS	3
NAMUR 303 SS	5
Long NAMUR 303 SS	E
<b>Switch Type</b>	
Cherry 15A	
SPDT Mechanical	1
Tungsten TTL 3A	
SPDT Non-Contact	2
Prism Gold Plated 1A	
SPDT Mechanical	3
ITW 10A	
DPDT Mechanical	4

### Description

Rhodium TTL 1A	
SPDT Non-Contact	T
Bifurcated TTL	
SPST Non-Contact	B
P&F NJ2-V3 NAMUR	
Inductive Sensor	8
Moniteur NAMUR	
Inductive Sensor	M
<b>Switch Quantity</b>	1-6
<b>Conduit</b>	
(2) 3/4" F NPT	0
(3) 3/4" F NPT	5
(2) 3/4" F NPT + (1) 1/2" F NPT	6
(2) 3/4" F NPT + (1) 1/2" M NPT	8
<b>Output (add suffix to part number)</b>	
Current 4 - 20mA	- 420
Resistive 0 - 1k	- 1K