



## **SuperTough Zytel Housing** *rated nema 4, 4x*

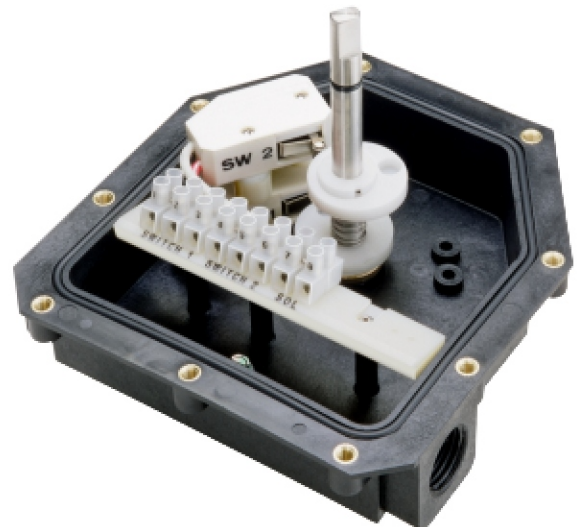
The SURVIVOR VPT has been designed to provide the most visible and reliable valve position indication for corrosive environments. Molded from DuPont's SuperTough Zytel Nylon, the SURVIVOR VPT will stand up to harsh washdowns and corrosives with ease.

- Inserts cast in during the molding process for resistance to pull-out during installation
- Clear Ektar cover offers excellent chemical resistance and strength
- Environmentally sealed indicator on the top of the unit prevents fogging or entry of contaminants
- Indicator is 100% adjustable to any valve or actuator
- Internal Switches and terminal block are labeled for easier installation
- Indicator shaft is secured to the housing with Moniteur's engineered Loc-Ring Cam and Shaft Retention System, ensuring sensing accuracy
- The industry's only "true" visual valve position indicator available for multi-port valves, adjustable to match the physical location of the valve
- "Flat cover" version available without indicator
- Optional thermoplastic quick-mount bracket for NAMUR actuators (as shown in photo)
- Available with Moniteur's wide variety of switches and sensors for today's advanced control systems

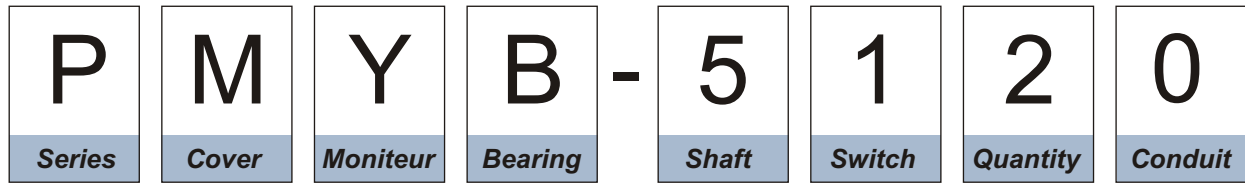
### *Visual Indicator Options*

Black / Yellow		3-way Path O	
Green / Red		3-way Path T	
Red / Green		3-way Path F	
ANSI Red / White		4-way Path S	
ANSI Green / White		180°	
ANSI Blue / White		120°	

*Please see other side for ordering information.*



## Intelligent Part Number System

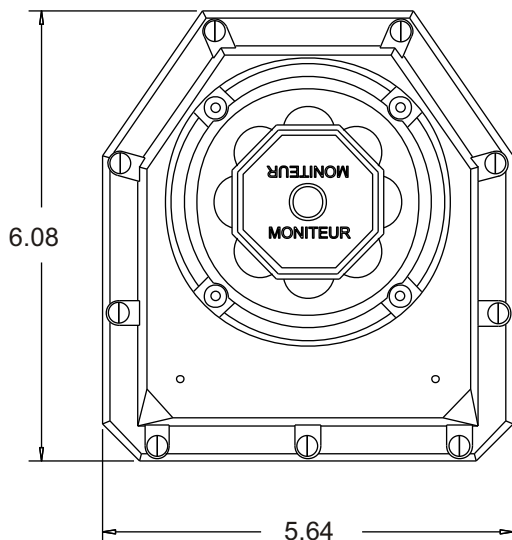


<b>Base unit includes:</b>	Black / Yellow indicator SuperTough Zytel Enclosure (2) 1/2" NPT conduit entries	2 SPDT 15A mechanical switches Bronze bearings and Inserts Low Profile NAMUR Shaft
----------------------------	--	--

Description	Code	Description	Code	Description	Code
<b>Series: Survivor</b>	P	<b>Bearing / Inserts</b>	B	Rhodium TTL 1A SPDT Non-Contact Bifurcated TTL	T
<b>Cover</b>		<b>Shaft</b>		SPST Non-Contact	B
Moniteur	M	Standard 303 SS	1	P&F NJ2-V3 NAMUR Inductive Sensor	8
Flat Cover	F	Standard 316 SS	3	Moniteur NEO-X 0.3A NO Sensor	A
<b>Moniteur</b>		NAMUR 303 SS	5	<b>Switch Quantity</b>	1-4
No Indicator	N	NAMUR 316 SS	7	<b>Conduit</b>	
Black / Yellow	Y	Long NAMUR 303 SS	E	(2) 1/2" F NPT	0
3-Way Path O,T, F	O,T, F	<b>Switch Type (2 switches)</b>		(3) 1/2" F NPT	6
4-Way Path	S	Cherry 15A SPDT Mechanical	1	(1) 1/2" F + (1) 1/2" M NPT	8
180 degree T port	1	Tungsten TTL 3A SPDT Non-Contact	2	<b>Options</b>	
120 degree	3	Prism Gold Plated 1A SPDT Mechanical	3	Current 4 - 20mA	- 420
Green / White	G	ITW 10A DPDT Mechanical	4	Resistive 0 - 1k	- 1K
Red / White	R				
Blue / White	B				
Green / Red	A				
Red / Green	C				
0-100%	P				

### Dimensions

#### Top View



#### Side View

