

Moniteur

SURVIVOR-II VPT

DIV 2

NEMA 4



Pending

***SuperTough Zytel Housing
rated nema 4, 4x***

Industry Approvals:

With TTL Switches -FM (Pending) / CSA Class I, Division 2, Groups A, B, C & D; Class II, Division 2, Groups E, F & G.

The SURVIVOR-II VPT has been designed to provide the most visible and reliable valve position indication for hazardous areas rated Division 2. Molded from DuPont's SuperTough Zytel Nylon with all-stainless steel trim, the SURVIVOR-II VPT will stand up to harsh washdowns and corrosives with ease.

- Stainless Steel Molded-In Inserts and Bearing
- Clear Ektar cover offers excellent chemical resistance and strength
- Environmentally sealed indicator on the top of the unit prevents fogging or entry of contaminants
- Indicator is 100% adjustable to any valve or actuator
- Internal Switches and terminal block are labeled for easier installation
- Indicator shaft is secured to the housing with Moniteur's engineered Loc-Ring Cam and Shaft Retention System, ensuring sensing accuracy
- Dual Potting Wells
- The industry's only "true" visual valve position indicator available for multi-port valves, adjustable to match the physical location of the valve
- Available with Moniteur's wide variety of switches and sensors for today's advanced control systems

Visual Indicator Options

Black / Yellow		3-way Path O	
Green / Red		3-way Path T	
Red / Green		3-way Path F	
ANSI Red / White		4-way Path S	
ANSI Green / White		180°	
ANSI Blue / White		120°	

Please see other side for ordering information.

DIV 2



Intelligent Part Number System

Division 2

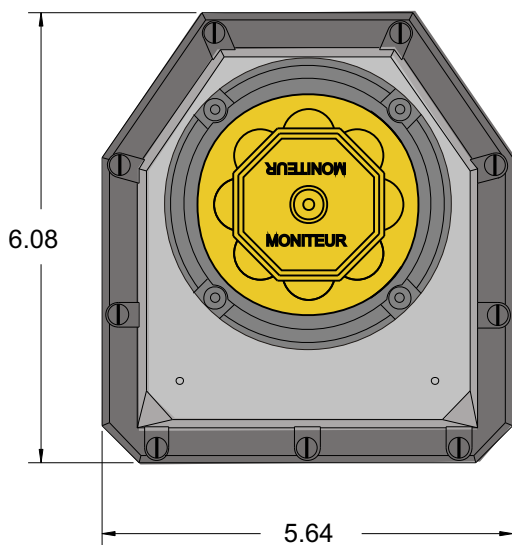
R	M	Y	S	-	5	2	2	0
Series	Cover	Moniteur	Bearing		Shaft	Switch	Quantity	Conduit

Base unit includes:	Black / Yellow indicator SuperTough Zytel Enclosure (2) 1/2" NPT conduit entries SS	2 SPDT Tungsten TTL switches Stainless Steel Bearing and SS Inserts Low profile NAMUR Shaft
----------------------------	---	---

Description	Code	Description	Code	Description	Code
Series: Survivor-II		Bearing / Inserts		Switch Quantity	1-4
Div 2 CSA	R	303 Stainless Steel	S	Conduit	
Non-Incendive (FM)	Q			(2) 1/2" F NPT SS	0
(pending)		Shaft		(3) 1/2" F NPT SS	6
Cover		Standard 303 SS	1	(1) 1/2" F + (1) 1/2" M NPT	8
Moniteur	M	Standard 316 SS	3	Div 2 Solenoid Mounted	9
Flat Cover	F	NAMUR 303 SS	5	Options	
Moniteur		NAMUR 316 SS	7	Viton O-rings	- V
No Indicator	N	Long NAMUR 303 SS	E	12 Terminal Points	- T12
Black / Yellow	Y	Switch Type (2 switches)		16 Terminal Points	- T16
3-Way Path O,T, F	O,T, F	Tungsten TTL	2	Wago Terminal Points	- TW
4-Way Path	S	SPDT Non-Contact		Double O-rings	- DR
180 degree T port	1	2.0A 24VDC		Div 2 Solenoid	
120 degree	3	1.0A 30VAC			
Green / White	G	Rhodium TTL	T		
Red / White	R	SPDT Non-Contact			
Blue / White	B	2.0 A 24VDC			
Green / Red	A	1.0A 30VAC			
Red / Green	C				
0-100%	P				

Dimensions

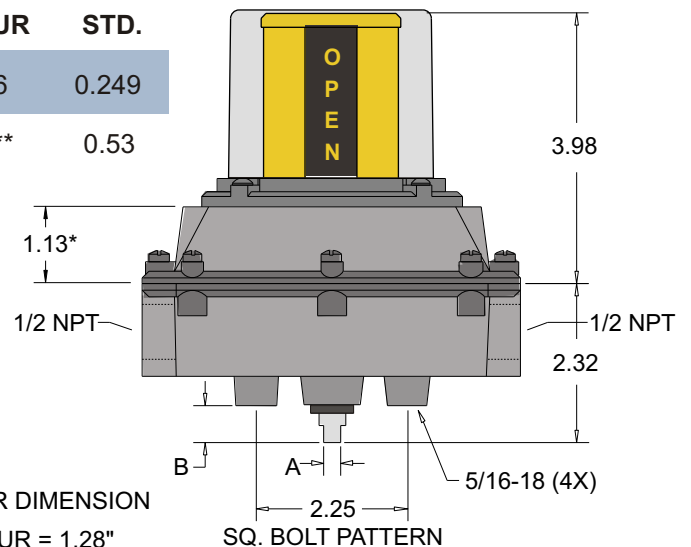
Top View



NAMUR STD.

A	0.156	0.249
B	0.62**	0.53

Side View



* - FLAT COVER DIMENSION

** - LONG NAMUR = 1.28"