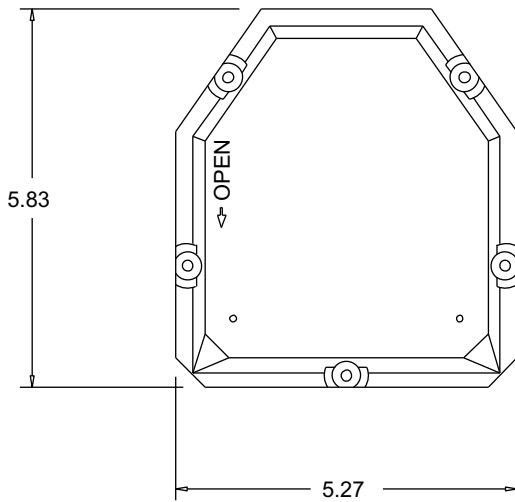


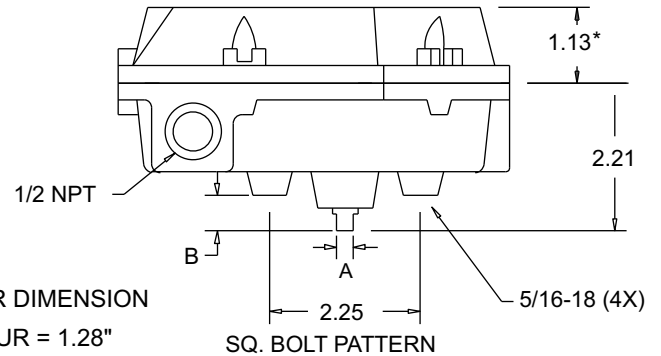
Dimensions

Top View



Side View

	NAMUR	STD.
A	0.156	0.249
B	0.62**	0.53



* - FLAT COVER DIMENSION

** - LONG NAMUR = 1.28"

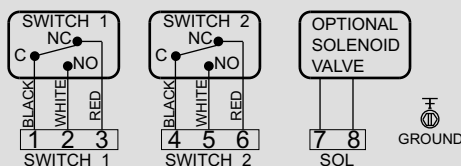
General Specifications

Nema Rating	4, 4x
Housing / Cover	Aluminum
Indicator Cover	Ektar
Seals	BUNA-N
Fasteners	Stainless Steel
Terminal Points	8
Weight	4.25 lbs.
Operating Temp.	-40° F to 175° F

How To Specify

Valve position transmitter shall be Moniteur model FFNB-1120/5120/E120. Enclosure shall be aluminum with a polyurethane coating and rated Nema 4, 4x. Enclosure shall have captive cover bolts. Enclosure shaft shall be attached to a sintered bronze housing bearing with an internal stainless steel locking ring, environmentally protected with an O-ring. The switch/sensor type shall be Cherry Mechanical rated 15A/250VAC - 2.5A/24 VDC. All switches and terminals must be enclosed and individually marked for identification. Terminal strip must be angle-mounted for easier installation.

Wiring Diagram

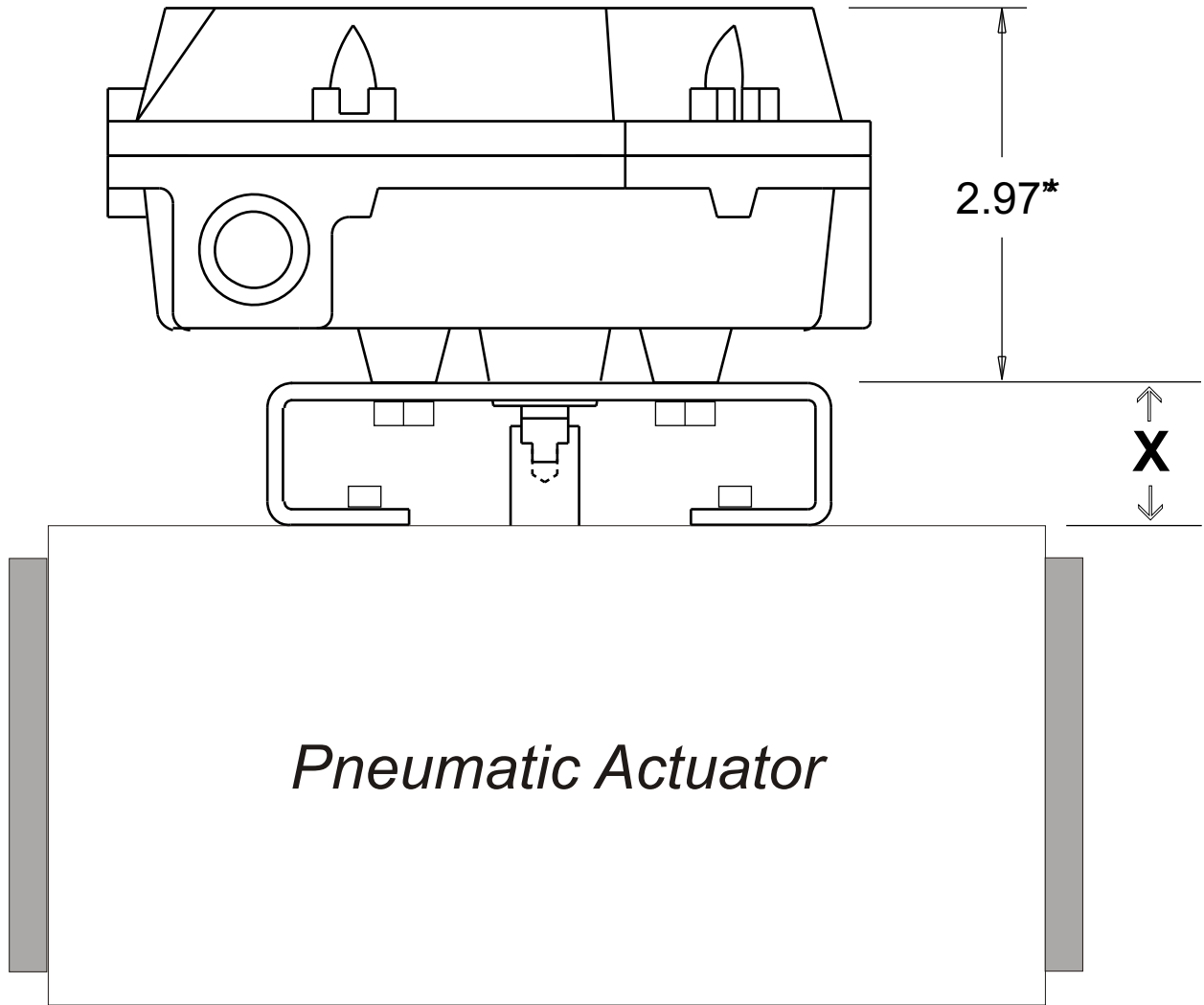


Agency Approvals
CSA General Purpose

Part Number Description

F	F	N	B	-	5	1	2	0
Series	Cover	Moniteur	Bearing		Shaft	Switch	Quantity	Conduit

Description	Code	Description	Code	Description	Code
Series: Watchman	F	Shaft		Switch Quantity	2
Cover		Standard (1/4" Flats)	1	Conduit	
Flat (No Indicator)	F	Low Profile NAMUR 303 SS	5	(2) 1/2" F NPT	0
Moniteur		Standard NAMUR 303 SS	E		
None	N	Switch Type			
Bearing		Cherry Mechanical SPDT			
Sintered Bronze	B	rated 15A/250VAC -			
		2.5A/24VDC	1		



Mounting Size

"X"

80 x 30 x 20 mm	1.14"
80 x 30 x 30 mm	1.53
130 x 30 x 30 mm	1.53
130 x 30 x 50 mm	2.32"