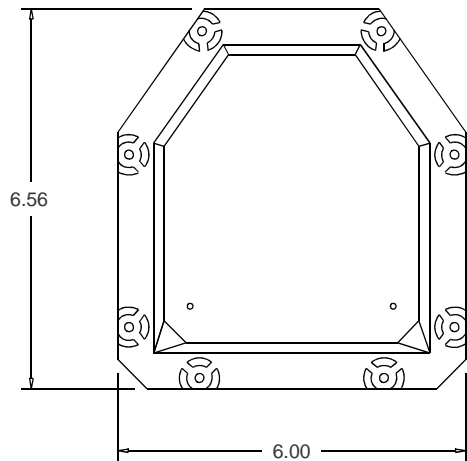


Dimensions



Top View

NAMUR STD.

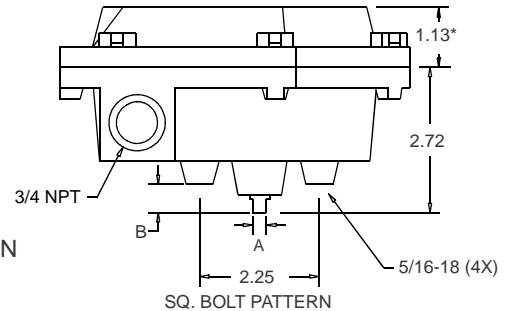
A	0.156	0.249
B	0.62**	0.53



* - FLAT COVER DIMENSION

** - LONG NAMUR = 1.28"

Side View



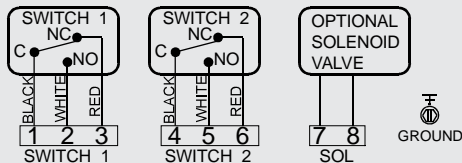
General Specifications

Nema Rating	4, 4X, 7, 9
Housing / Cover	Aluminum
Seals	BUNA-N
Fasteners	Stainless Steel
Terminal Points	8
Weight	4.25 lbs.
Operating Temp.	-40° F to 175° F

How To Specify

Valve position transmitter shall be Moniteur model AFNB-1120/5120/E120. Enclosure shall be aluminum with a polyurethane coating and rated Nema 4, 4X, 7, 9. Enclosure shall have captive cover bolts. Enclosure shaft shall be attached to a sintered brass housing bearing with an internal stainless steel locking ring, environmentally protected with an O-ring. The switch/sensor type shall be Cherry Mechanical rated 15A/250VAC - 2.5A/24 VDC. All switches and terminals must be enclosed and individually marked for identification. Terminal strip must be angle-mounted for easier installation.

Wiring Diagram



Agency Approvals: UL and CSA

Class I, Division 1, Group C & D
Class II, Division 1, Group E, F, G

Part Number Description



Description	Code	Description	Code	Description	Code
Series: Sentinel	A	Shaft		Switch Quantity	2
Cover		Standard 303 SS, 1/4" flats	1	Conduit	
Flat Cover	F	Low Profile NAMUR 303 SS	5	(2) 3/4" F NPT	0
Moniteur		Standard NAMUR 303 SS	E		
None	N	Switch Type			
Bearing		Cherry Mechanical SPDT	1		
Bronze	B	rated 15A/250VAC -			
		2.5A/24VDC			