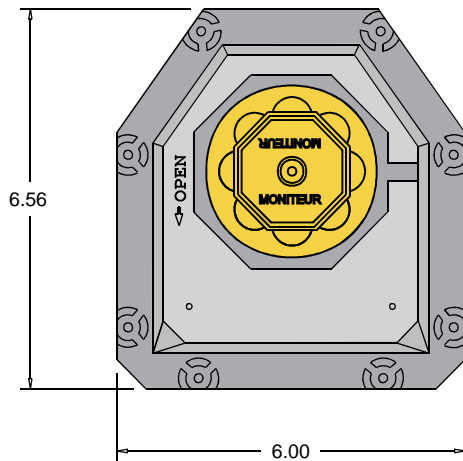


Dimensions Top View



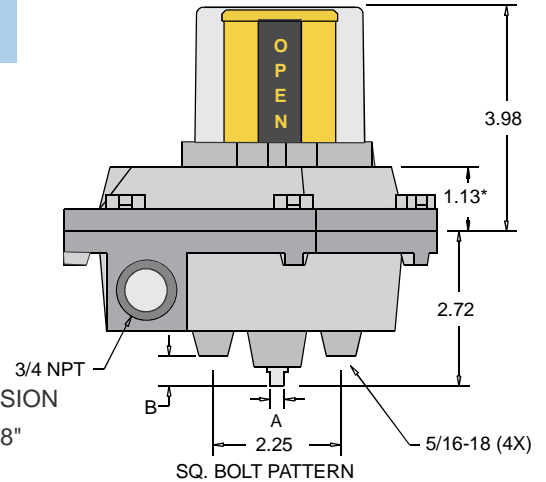
NAMUR STD.

A	0.156	0.249
B	0.62**	0.53



* - FLAT COVER DIMENSION
** - LONG NAMUR = 1.28"

Side View



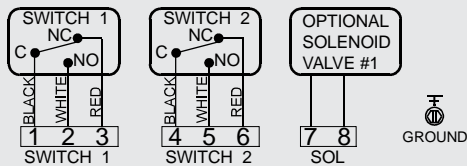
General Specifications

Nema Rating	4, 4X, 7, 9
Housing / Cover	Aluminum
Indicator Cover	Ektar
Seals	BUNA-N
Fasteners	Stainless Steel
Terminal Points	8
Weight	4.25 lbs.
Operating Temp.	-40° F to 175° F

How To Specify

Valve position transmitter shall be Moniteur model AMYB-1120 / AMYB-5120 / AMYB-E120. Enclosure shall be aluminum with a polyurethane coating and rated Nema 4, 4X, 7 & 9. Visual indicator shall have 100% display change, 360° visibility and full set point adjustability. Indicator cover shall be free of decals or paint and sealed with an O-ring. Enclosure shall have captive cover bolts. Enclosure shaft shall be attached to a sintered bronzel housing bearing with an internal stainless steel locking ring, environmentally protected with an O-ring. The switch type shall be Cherry Mechanical SPDT rated 15A @ 125VAC - 2.5A @ 24 VDC. A total of two (2) switches shall be included along with eight terminal points. All switches and terminals must be enclosed and marked for simple identification.

Wiring Diagram



Agency Approvals: UL and CSA

Class I, Division 1, Group C & D
Class II, Division 1, Group E, F, G

Part Number Description



Description	Code	Description	Code	Description	Code
Series: Sentinel	A	Shaft		Switch Quantity	2
Cover		Standard Shaft	1	Conduit	
With Moniteur	M	Low Profile NAMUR 303 SS	5	(2) 3/4" F NPT	0
Moniteur		NAMUR 303 SS	E		
Black / Yellow	Y	Switch Type			
Bearing		Cherry Mechanical SPDT	1		
Bronze	B	rated 15A @ 125VAC			
		2.5A @ 24 VDC			