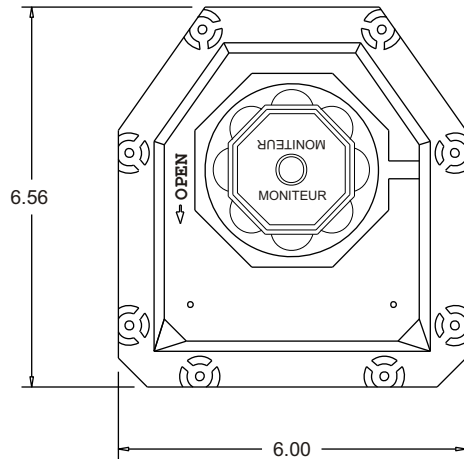


# Moniteur

## SENTINEL VPT Specification AMYB-1320 / AMYB-5320 / AMYB-E320

### Dimensions

### Top View

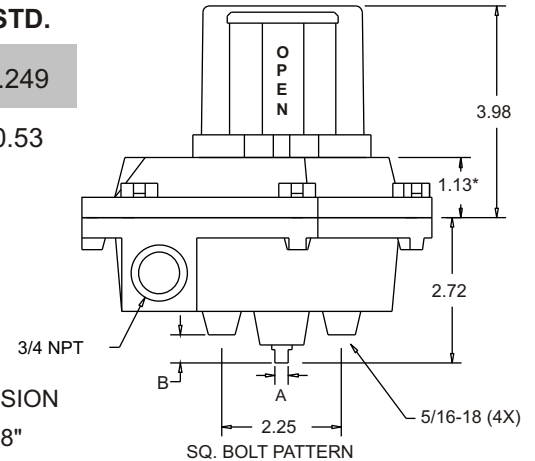


### Side View

	NAMUR	STD.
A	0.156	0.249
B	0.62**	0.53



\* - FLAT COVER DIMENSION  
\*\* - LONG NAMUR = 1.28"



### General Specifications

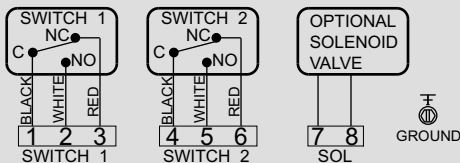
Nema Rating	4, 4x, 7, 9
Housing / Cover	Aluminum
Indicator Cover	Ektar
Seals	BUNA-N
Fasteners	Stainless Steel
Terminal Points	8
Weight	4.25 lbs.
Operating Temp.	-40° F to 175° F

### How To Specify

Valve position transmitter shall be Moniteur model AMYB-E320/AMYB-5320/AMYB-1320. Enclosure shall be aluminum with a polyurethane coating and rated Nema 4, 4x, 7, 9. Visual indicator shall have 100% display change, 360° visibility and full set point adjustability. Indicator cover shall be free of decals or paint and sealed with an O-ring. Enclosure shall have captive cover bolts. Enclosure shaft shall be attached to a sintered brass housing bearing with an internal stainless steel locking ring, environmentally protected with an O-ring. The switch/sensor type shall be Prism Gold Plated Mechanical SPDT rated 1A-24VDC. All switches and terminals must be enclosed and individually marked for identification. Terminal strip must be angle-mounted for easier installation.

**Agency Approvals: UL and CSA**  
Class 1, Division 1 & 2, Group C & D  
Class 2, Division 1 & 2, Group E, F, G

### Wiring Diagram



### Part Number Description

<b>A</b>	<b>M</b>	<b>Y</b>	<b>B</b>	<b>-</b>	<b>5</b>	<b>3</b>	<b>2</b>	<b>0</b>
Series	Cover	Moniteur	Bearing		Shaft	Switch	Quantity	Conduit

Description	Code	Description	Code	Description	Code
<b>Series: Sentinel</b>	A	<b>Shaft</b>		<b>Switch Quantity</b>	2
<b>Cover</b>		Standard 303 SS, 1/4" flats	1	<b>Conduit</b>	
With Moniteur	M	Low Profile NAMUR 303 SS	5	(2) 3/4" F NPT	0
<b>Moniteur</b>		Standard NAMUR 303 SS	E		
Black / Yellow	Y	<b>Switch Type</b>			
<b>Bearing</b>		Prism Gold Plated			
Bronze	B	Mechanical SPDT			
		rated 1A/24VDC	3		