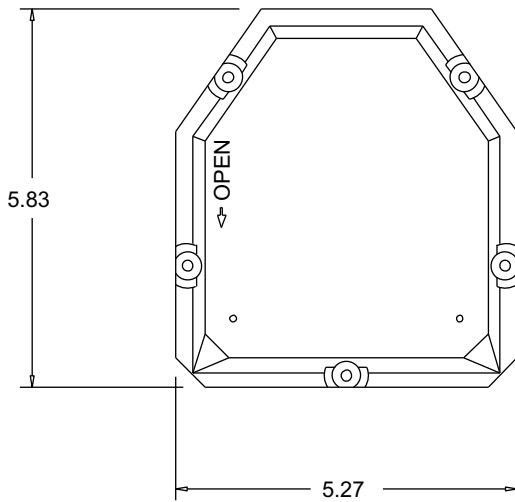


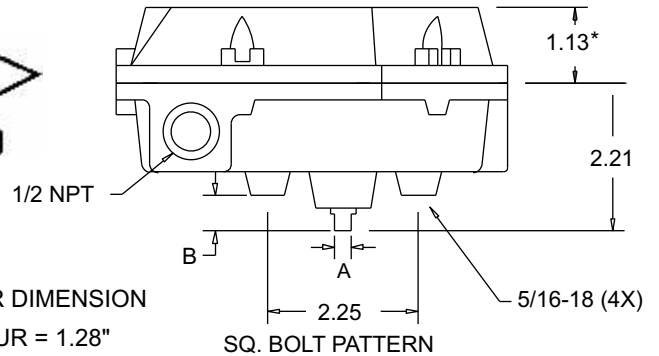
Dimensions

Top View



Side View

	NAMUR	STD.
A	0.156	0.249
B	0.62**	0.53



* - FLAT COVER DIMENSION

** - LONG NAMUR = 1.28"

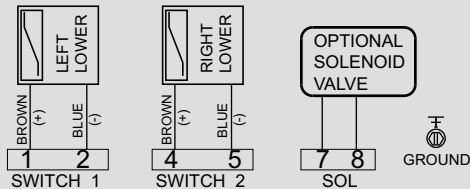
General Specifications

Nema Rating	4, 4x
Housing / Cover	Aluminum
Indicator Cover	Ektar
Seals	BUNA-N
Fasteners	Stainless Steel
Terminal Points	8
Weight	4.25 lbs.
Operating Temp.	-40° F to 175° F

How To Specify

Valve position transmitter shall be Moniteur model FFNB-1820/5820/E820. Enclosure shall be aluminum with a polyurethane coating and rated Nema 4, 4x. Enclosure shall have captive cover bolts. Enclosure shaft shall be attached to a sintered bronze housing bearing with an internal stainless steel locking ring, environmentally protected with an O-ring. The sensor type shall be P&F NJ2-V3N NAMUR type rated Intrinsically Safe. All terminals must be individually marked for identification. Terminal strip must be angle-mounted for easier installation.

Wiring Diagram



Agency Approvals: FM Intrinsically Safe (Sensors Only)

Class 1, Division 1 & 2, Group A, B, C & D
Class 2, Division 1 & 2, Group E, F, G

Part Number Description

F	F	N	B	-	5	8	2	0
Series	Cover	Moniteur	Bearing		Shaft	Switch	Quantity	Conduit

Description

Code

Series: Watchman

F

Cover

Flat (No Indicator)

F

Moniteur

None

N

Bearing

Sintered Bronze

B

Description

Code

Shaft

Standard (1/4" Flats)

1

Low Profile NAMUR 303 SS

5

Standard NAMUR 303 SS

E

Switch/Sensor Type

Pepperl & Fuchs NJ2-V3N

NAMUR Sensors - FM

approved Intrinsically Safe

8

Description

Code

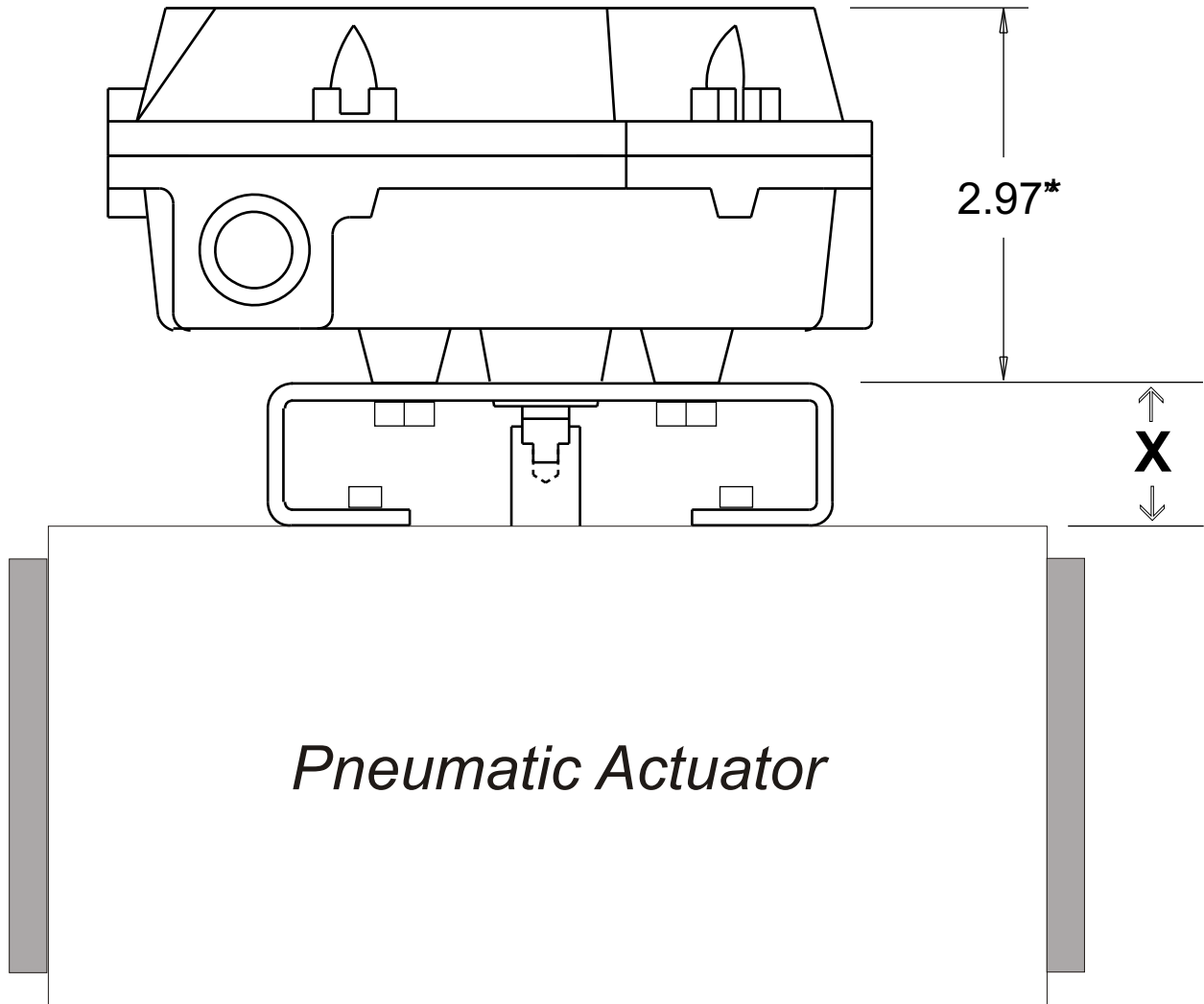
Switch Quantity

2

Conduit

(2) 1/2" F NPT

0



<u>Mounting Size</u>	<u>"X"</u>
80 x 30 x 20 mm	1.14"
80 x 30 x 30 mm	1.53
130 x 30 x 30 mm	1.53
130 x 30 x 50 mm	2.32"