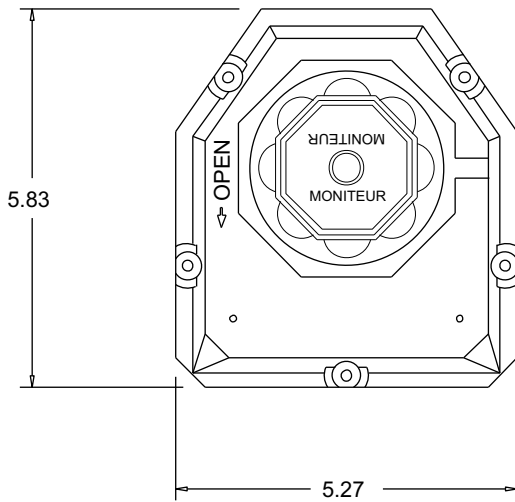


### Dimensions

### Top View

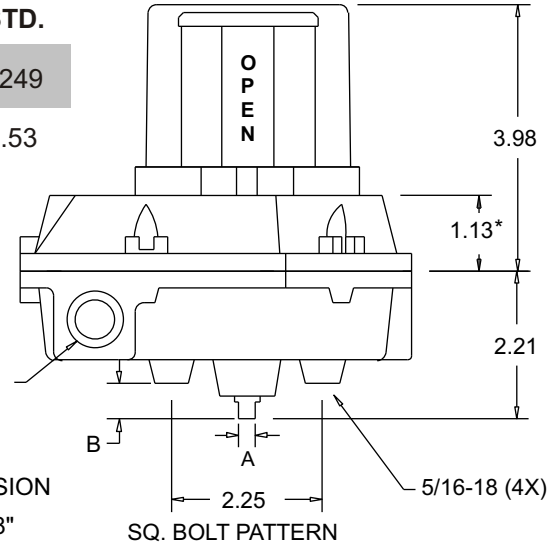


### Side View

	NAMUR	STD.
A	0.156	0.249
B	0.62**	0.53



1/2 NPT



\* - FLAT COVER DIMENSION

\*\* - LONG NAMUR = 1.28"

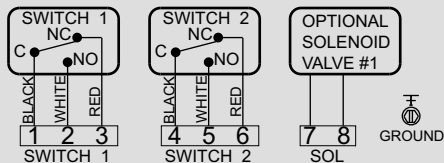
### General Specifications

Nema Rating	4, 4x
Housing / Cover	Aluminum
Indicator Cover	Ektar
Seals	BUNA-N
Fasteners	Stainless Steel
Terminal Points	8
Weight	4.25 lbs.
Operating Temp.	-40° F to 175° F
Agency Approvals	CSA

### How To Specify

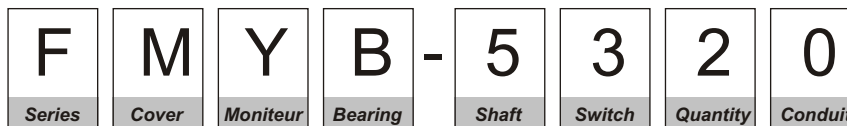
Valve position transmitter shall be Moniteur model FMYB-1320 / FMYB-5320 / FMYB-E320. Enclosure shall be aluminum with a polyurethane coating and rated Nema 4, 4x. Visual indicator shall have 100% display change, 360° visibility and full set point adjustability. Indicator cover shall be free of decals or paint and sealed with an O-ring. Enclosure shall have captive cover bolts. Enclosure shaft shall be attached to a Stainless Steel housing bearing with an internal stainless steel locking ring, environmentally protected with an O-ring. The switch/sensor type shall be Prism Gold Plated Mechanical SPDT rated 1A-24VDC. A total of two (2) switches shall be included along with eight terminal points. All switches and terminals must be enclosed and marked for simple identification.

### Wiring Diagram



### Agency Approvals CSA General Purpose

### Part Number Description



Description	Code	Description	Code	Description	Code
<b>Series: Watchman</b>	F	<b>Shaft</b>		<b>Switch Quantity</b>	2
<b>Cover</b>		Standard 303 SS, 1/4" flats	1	<b>Conduit</b>	
With Moniteur	M	Low Profile NAMUR 303 SS	5	(2) 1/2" F NPT	0
<b>Moniteur</b>		Standard NAMUR 303 SS	E		
Black / Yellow	Y	<b>Switch Type</b>			
<b>Bearing</b>		Prism Mechanical SPDT			
Sintered Bronze	B	rated 1A/24VDC	3		