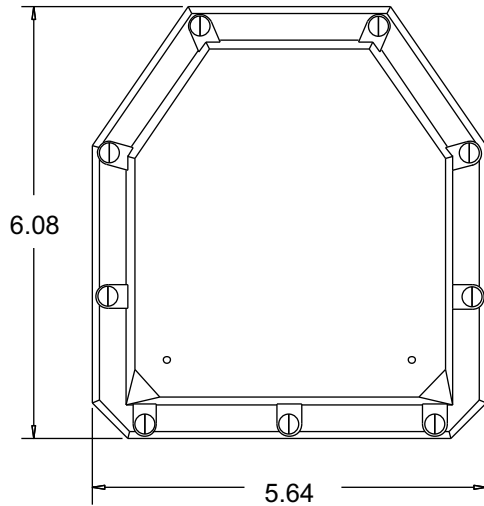


Dimensions

Top View

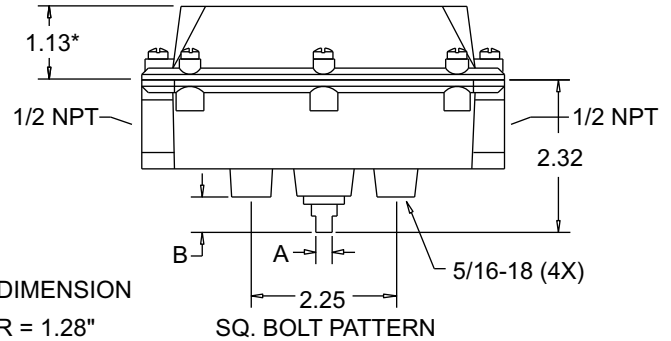


NAMUR

STD.

A	0.156	0.249
B	0.62**	0.53

Side View



* - FLAT COVER DIMENSION

** - LONG NAMUR = 1.28"

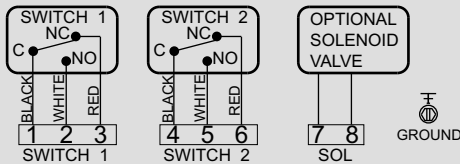
General Specifications

Nema Rating	4, 4x
Housing / Cover	SuperTough Zytel
Indicator Cover	Ektar
Seals	BUNA-N
Fasteners	Stainless Steel
Terminal Points	8
Weight	4.25 lbs.
Operating Temp.	-40° F to 175° F

How To Specify

Valve position transmitter shall be Moniteur model PMYB-1120/5120/E120. Enclosure shall be corrosion-resistant SuperTough Zytel Nylon and rated Nema 4, 4x. Enclosure shall have captive cover bolts. Enclosure shaft shall be attached to a sintered bronze housing bearing with an internal stainless steel locking ring, environmentally protected with an O-ring for a multi-million cycle life. The switch/sensor type shall be Cherry Mechanical rated 15A/250VAC - 2.5A/24 VDC. All switches and terminals must be enclosed and clearly marked for identification. Terminal strip must be angle-mounted for easier installation.

Wiring Diagram



Part Number Specification



Description

Code

Series: Survivor

P

Cover

Flat Cover

M

Moniteur

None

Y

Bearing / Inserts

Sintered Bronze

B

Description

Code

Shaft

Standard 303 SS, 1/4" flats
Low Profile NAMUR 303 SS
Standard NAMUR 303 SS

1

5

E

Switch Type

Cherry Mechanical SPDT
rated 15A/250VAC -
2.5A/24VDC

1

Description

Code

Switch Quantity

2

Conduit

(2) 1/2" F NPT

0