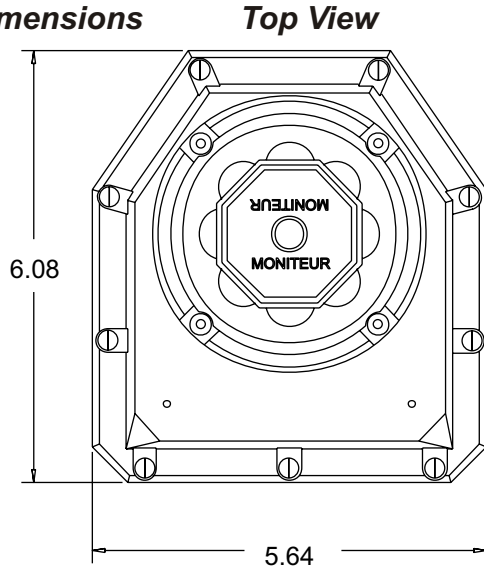
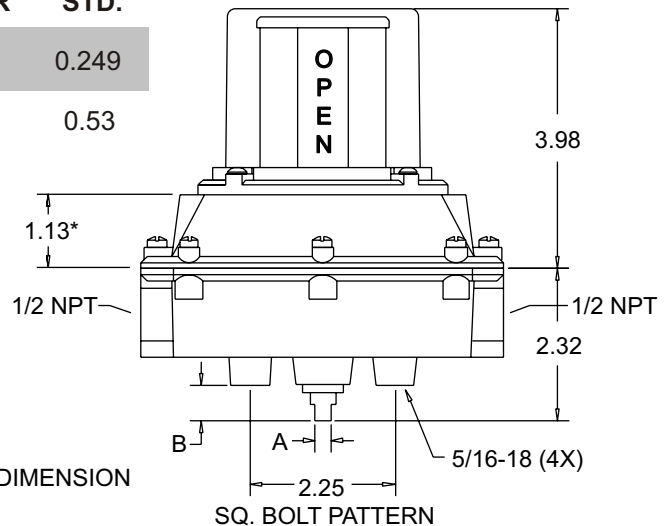


Dimensions



	NAMUR	STD.
A	0.156	0.249
B	1.28	0.53

Side View



* - FLAT COVER DIMENSION

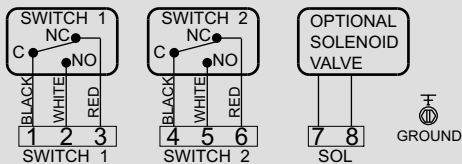
General Specifications

Nema Rating	4, 4x
Housing / Cover	SuperTough Zytel
Indicator Cover	Ektar
Seals	BUNA-N
Fasteners	Stainless Steel
Terminal Points	8
Weight	4.25 lbs.
Operating Temp.	-40° F to 175° F

How To Specify

Valve position transmitter shall be Moniteur model PMYB-1320/5320/E320. Enclosure shall be corrosion-resistant SuperTough Zytel Nylon and rated Nema 4, 4x. Visual indicator shall have 100% display change, 360° visibility and full set point adjustability. Indicator cover shall be free of decals or paint and sealed with an O-ring. Enclosure shall have captive cover bolts. Enclosure shaft shall be attached to a sintered bronze housing bearing with an internal stainless steel locking ring, environmentally protected with an O-ring for a multi-million cycle life. The switch/sensor type shall be Prism Gold Plated Mechanical SPDT rated 1A-24VDC. All switches and terminals must be enclosed and clearly marked for identification. Terminal strip must be angle-mounted for easier installation.

Wiring Diagram



Part Number Specification



Description	Code	Description	Code	Description	Code
Series: Survivor	P	Shaft		Switch Quantity	2
Cover		Standard 303 SS, 1/4" flats	1	Conduit	
With Moniteur	M	Low Profile NAMUR 303 SS	5	(2) 1/2" F NPT	0
Moniteur		Standard NAMUR 303 SS	E		
Black / Yellow	Y	Switch Type			
Bearing / Inserts		Prism Gold Plated			
Sintered Bronze	B	Mechanical SPDT			
		rated 1A/24VDC	3		