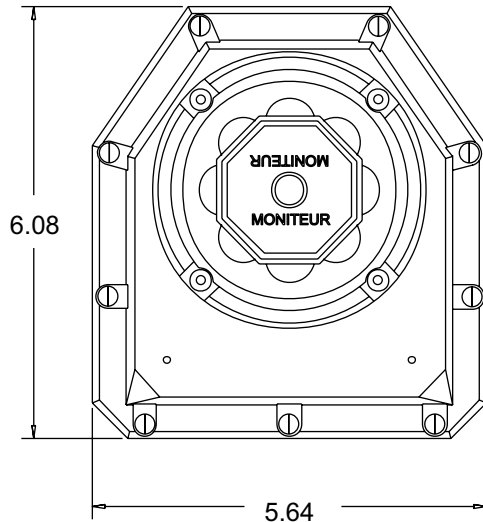


Moniteur

SURVIVOR-II Specification RMYS-1T40 / RMYS-5T40 / RMYS-ET40

Dimensions

Top View



NAMUR STD.

A	0.156	0.249
B	0.62**	0.53

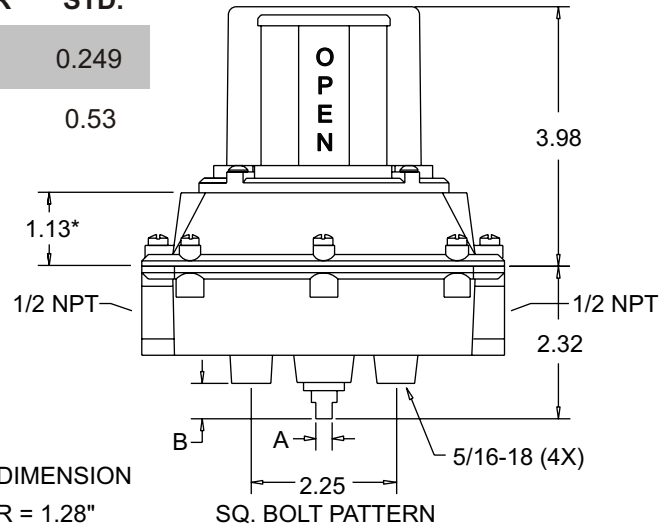


* - FLAT COVER DIMENSION

** - LONG NAMUR = 1.28"

Side View

Div 2



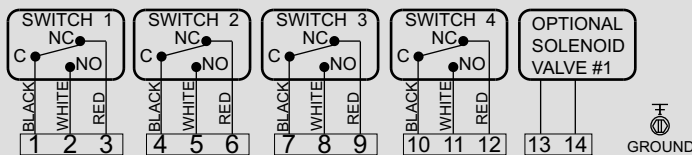
General Specifications

Nema Rating	4, 4x
Housing / Cover	SuperTough Zytel
Indicator Cover	Ektar
Seals	BUNA-N
Fasteners	Stainless Steel
Terminal Points	14
Weight	4.25 lbs.
Operating Temp.	-40° F to 175° F

How To Specify

Valve position transmitter shall be Moniteur model RMYS-1T40 / RMYS-5T40 / RMYS-ET40. Enclosure shall be SuperTough Zytel Nylon and rated Nema 4, 4x & Class 1 & 2 Division 2 - All Groups. Visual indicator shall have 100% display change, 360° visibility and full set point adjustability. Indicator cover shall be free of decals or paint and sealed with an O-ring. Enclosure shall have captive cover bolts. Enclosure shaft shall be attached to a 303 stainless steel housing bearing with an internal stainless steel locking ring, environmentally protected with an O-ring. The switch/sensor type shall be Rhodium TTL Rated at 1.0A /24-30VDC. A total of four (4) switches shall be included along with 14 terminal points. All switches and terminals must be enclosed and clearly marked for identification. Terminal strip must be angle-mounted for easier installation.

Wiring Diagram



Agency Approvals: CSA Div 2:

Electrical Equipment for use in
Class I, Division 2 Groups A, B, C, D
Class II, Division 2, Groups E, F, G

Part Number Specification



Description

Code

Series: Survivor II
Div 2 CSA

R

Cover
With Moniteur

M

Moniteur
Black / Yellow

Y

Bearing / Inserts
303 Stainless Steel

S

Description

Code

Shaft
Standard 303 SS - 1/4" flats 1
Low Profile NAMUR 303 5
Standard NAMUR 303 SS E

Switch Type

Rhodium TTL
SPDT Non-Contact
1.0A - 24-30 VDC

T

Description

Code

Switch Quantity 4
Conduit
(2) 1/2" F NPT SS 0