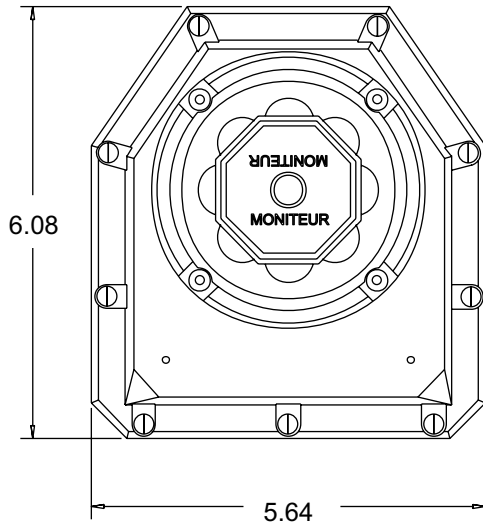


Dimensions

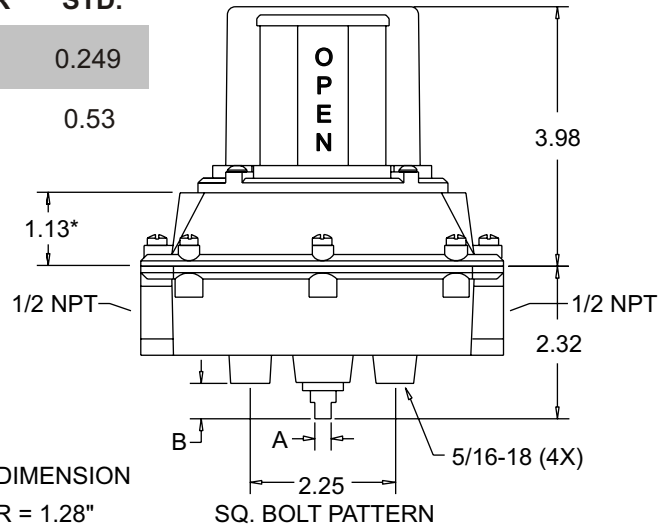


	NAMUR	STD.
A	0.156	0.249
B	0.62**	0.53



* - FLAT COVER DIMENSION
 ** - LONG NAMUR = 1.28"

Side View Div 2



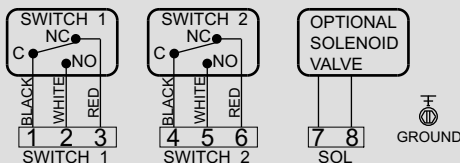
General Specifications

Nema Rating	4, 4x, 7, 9
Housing / Cover	SuperTough Zytel
Indicator Cover	Ektar
Seals	BUNA-N
Fasteners	Stainless Steel
Terminal Points	8
Weight	4.25 lbs.
Operating Temp.	-40° F to 175° F

How To Specify

Valve position transmitter shall be Moniteur model RMYS-3T20/7T20/GT20-DR. Enclosure shall be SuperTough Zytel Nylon and rated Nema 4, 4x & Class 1 & 2 Division 2 - All Groups. Visual indicator shall have 100% display change, 360° visibility and full set point adjustability. Indicator cover shall be free of decals or paint and sealed with an O-ring. Enclosure shall have captive cover bolts. Enclosure shaft shall be attached to a 303 stainless steel housing bearing with an internal stainless steel locking ring, environmentally protected with double O-rings. The switch/sensor type shall be Rhodium TTL Rated at 1.0A /24-30VDC. All switches and terminals must be enclosed and clearly marked for identification. Terminal strip must be angle-mounted for easier installation.

Wiring Diagram



Agency Approvals: CSA Div 2:
 Electrical Equipment for use in
 Class I, Division 2 Groups A, B, C, D
 Class II, Division 2, Groups E, F, G

Part Number Specification



Description	Code	Description	Code	Description	Code
Series: Survivor II		Shaft		Switch Quantity	2
Div 2 CSA	R	Standard 316 SS - 1/4" flats	3	Conduit	
Cover		Low Profile NAMUR 316 SS	7	(2) 1/2" F NPT SS	0
With Moniteur	M	Standard NAMUR 316 SS	G	Options	
Moniteur		Switch Type		Dual Shaft O-Rings	-DR
Black / Yellow	Y	Rhodium TTL			
Bearing / Inserts		SPDT Non-Contact			
303 Stainless Steel	S	1.0A - 24-30 VDC	T		