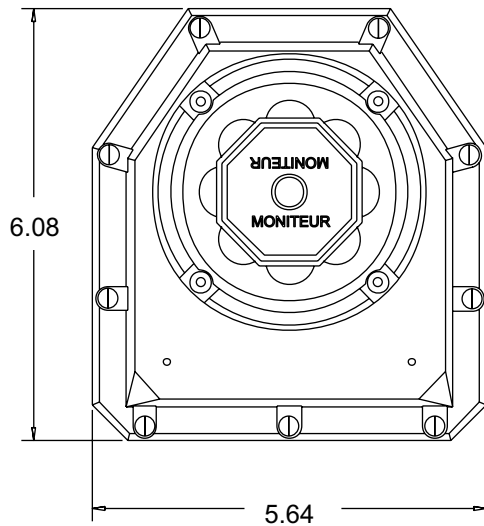


### Dimensions

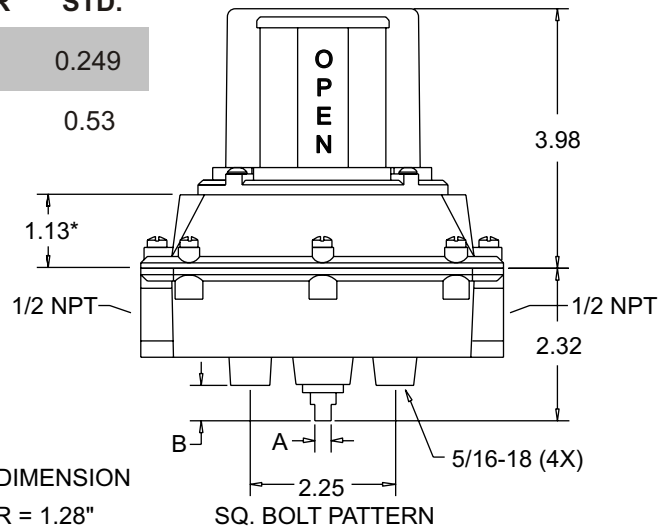


	NAMUR	STD.
A	0.156	0.249
B	0.62**	0.53



\* - FLAT COVER DIMENSION  
 \*\* - LONG NAMUR = 1.28"

### Side View Div 2



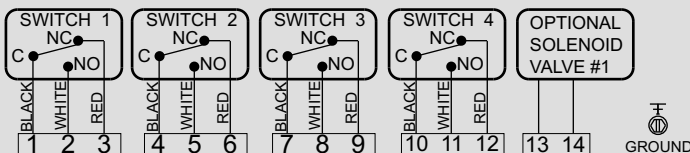
### General Specifications

Nema Rating	4, 4x, 7, 9
Housing / Cover	SuperTough Zytel
Indicator Cover	Ektar
Seals	BUNA-N
Fasteners	Stainless Steel
Terminal Points	14
Weight	4.25 lbs.
Operating Temp.	-40° F to 175° F

### How To Specify

Valve position transmitter shall be Moniteur model RMYS-3T40/7T40/GT40-DR. Enclosure shall be SuperTough Zytel Nylon and rated Nema 4, 4x & Class 1 & 2 Division 2 - All Groups. Visual indicator shall have 100% display change, 360° visibility and full set point adjustability. Indicator cover shall be free of decals or paint and sealed with an O-ring. Enclosure shall have captive cover bolts. Enclosure shaft shall be attached to a 303 stainless steel housing bearing with an internal stainless steel locking ring, environmentally protected with double O-rings. The switch/sensor type shall be Rhodium TTL Rated at 1.0A /24-30VDC. All switches and terminals must be enclosed and clearly marked for identification. Terminal strip must be angle-mounted for easier installation.

### Wiring Diagram



### Agency Approvals: CSA Div 2:

Electrical Equipment for use in Class I, Division 2 Groups A, B, C, D Class II, Division 2, Groups E, F, G

### Part Number Specification



### Description

Series: Survivor II  
 Div 2 CSA

Cover  
 With Moniteur

Moniteur  
 Black / Yellow

Bearing / Inserts  
 303 Stainless Steel

### Code

R

M

Y

S

### Description

Shaft  
 Standard 316 SS - 1/4" flats  
 Low Profile NAMUR 316 SS  
 Standard NAMUR 316 SS

Switch Type  
 Rhodium TTL  
 SPDT Non-Contact  
 1.0A - 24-30 VDC

### Code

3

7

G

T

### Description

Switch Quantity

Conduit  
 (2) 1/2" F NPT SS

Options  
 Dual Shaft O-Rings

### Code

4

0

-DR