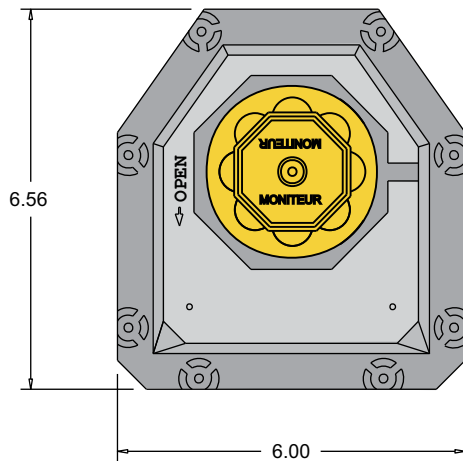


Moniteur

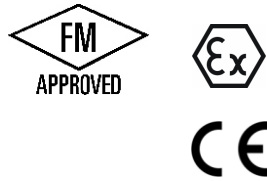
SENTINEL - S3 VPT Specification SMYB-112A / SMYB-512A / SMYB-E12A

Dimensions Top View



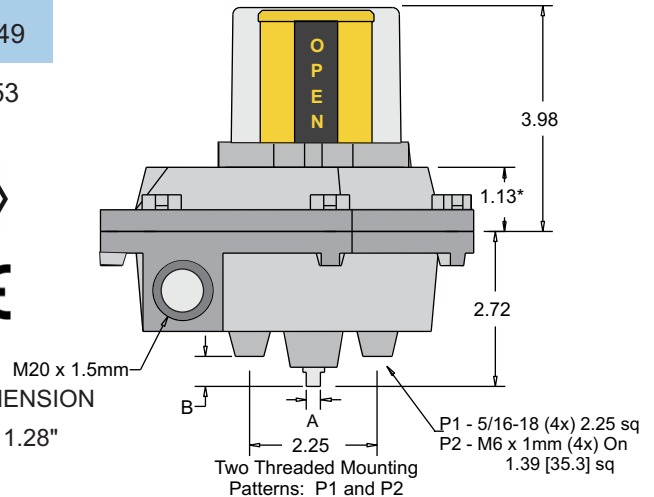
NAMUR STD.

A	0.156	0.249
B	0.62**	0.53



* - FLAT COVER DIMENSION
** - LONG NAMUR = 1.28"

Side View



General Specifications

IP/Type Rating	IP66 / IP67 / 4X
Housing / Cover	Aluminum 360
Indicator Cover	Ektar
Seals	BUNA-N
Fasteners	Stainless Steel
Terminal Points	8
Weight	4.25 lbs.

How To Specify

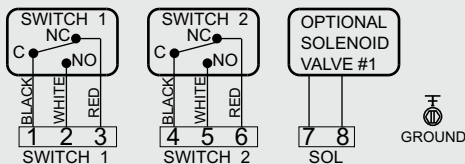
Valve position transmitter shall be Moniteur model SMYB-112A / SMYB-512A / SMYB-E12A. Enclosure shall be aluminum with a polyurethane coating and rated TYPE 4X and IP66 / IP67. Visual indicator shall have 100% display change, 360° visibility and full set point adjustability. Indicator cover shall be free of decals or paint and sealed with an O-ring. Enclosure shall have captive cover bolts. Enclosure shaft shall be attached to a sintered bronze housing bearing with an internal stainless steel locking ring, environmentally protected with an O-ring. The switch type shall be Cherry Mechanical SPDT rated 15A - 250 VAC; 2.5A - 24 VDC; 2A - 48 VDC; 0.5A - 125 VDC; 0.25A - 250 VDC; A total of two (2) switches shall be included along with eight terminal points. All switches and terminals must be enclosed and marked for simple identification.

Approvals:

IECEX II 2 G Ex d IIB +H2 T6 Gb Ta = -40°C to +79°C, IP66 / IP67 4X
ATEX II 2 D Ex tb IIIC T6 Db Ta = -40°C to +79°C, IP66 / IP67 4X

FM Cl. I, Div 1, Group C, D Cl. II, Div 1, Groups E, F, G
Ta = -40°C to +79°C, IP66 / IP67 TYPE 4X

Wiring Diagram



Part Number Description



Description	Code	Description	Code	Description	Code
Series: Sentinel-S3	S	Shaft		Switch Quantity	2
Cover		Standard Shaft	1	Conduit	
With Moniteur	M	Low Profile NAMUR 303 SS	5	(2) M20 x 1.5mm	A
Moniteur		NAMUR 303 SS	E		
Black / Yellow	Y	Switch Type			
Bearing		Cherry Mech SPDT rated	1		
Bronze	B	15A - 250 VAC; 2.5A - 24 VDC;			
		2A - 48 VDC; 0.5A - 125 VDC;			
		0.25A - 250 VDC;			