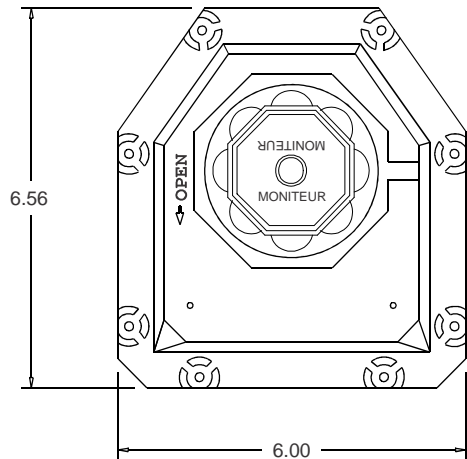


Dimensions



Top View

NAMUR STD.

A	0.156	0.249
---	-------	-------

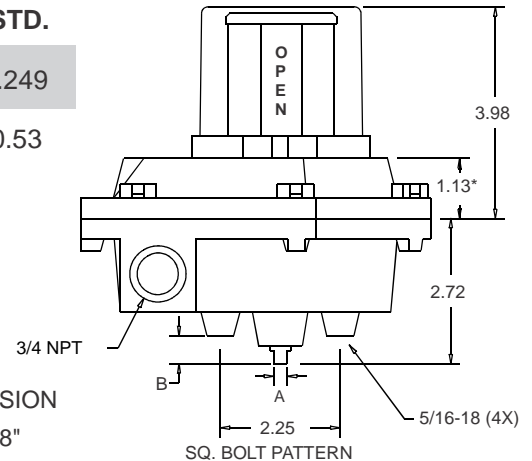
B	0.62**	0.53
---	--------	------



* - FLAT COVER DIMENSION

** - LONG NAMUR = 1.28"

Side View



General Specifications

Nema Rating	4, 4X, 7, 9
Housing / Cover	Aluminum
Indicator Cover	Ektar
Seals	BUNA-N
Fasteners	Stainless Steel
Terminal Points	8 to 26 max.
Weight	4.25 lbs.
Operating Temp.	-40° F to 175° F
Agency Approvals	UL and CSA

How To Specify

Valve position transmitter shall be Moniteur model _____. Enclosure shall be aluminum with a polyurethane coating and rated Nema 4, 4X, 7, 9. Visual indicator shall have 100% display change, 360° visibility and full set point adjustability. Indicator cover shall be free of decals or paint and sealed with an O-ring. Enclosure shall have captive cover bolts. Enclosure shaft shall be attached to the housing with an internal stainless steel locking ring, environmentally protected with an O-ring. The switch/sensor type shall be _____. All switches and terminals must be enclosed and marked for identification. Terminal strip must be angle-mounted for easier installation.

Hazardous Area Ratings

Mechanical Switches: Class I, Division 1, Groups C & D, Class II, Division 1, Groups E, F, G
TTL Switches: same as for mechanical, plus Class I, Division 2, Groups A & B

Intelligent Part Numbering System - place your part number in the boxes below



Description	Code	Description	Code	Description	Code
Series: Sentinel	A	Shaft		Conduit Connection	
Moniteur		Standard 303 SS	1	2 - 3/4" F NPT	0
With Indicator	M	Standard 316 SS	3	3 - 3/4" F NPT	5
Flat Cover	F	Low Profile NAMUR 303 SS	5	2 - 3/4" F NPT + 1 - 1/2" F NPT	6
Indicator Type (open/closed)		Low Profile NAMUR 316 SS	7	1 - 3/4" F NPT + 1 - 1/2" M NPT	8
No Indicator (Flat Cover)	N	NAMUR 303 SS	E	Options	
Black / Yellow (Standard)	Y	NAMUR 316 SS	G	Transmitter 4 - 20mA	- 420
Green / Red	A	Switch/Sensor Package (Switch Code / Quantity)		Potentiometer 0 - 1k	- 1K
Red / Green	C	(2) Mechanical SPDT 15A-250VAC w/8 Pt TS	12	Hard Anodized Enclosure	X14206
0-100% Digital	P	(4) Mechanical SPDT 15A-250VAC w/14 Pt TS	14	All Viton Seals	-V
3-Way Path O (90 degree)	O	(6) Mechanical SPDT 15A-250VAC w/26 Pt TS	16	12 Terminal Points	-12T
3-Way Path T (90 degree)	T	(2) Mechanical SPDT 0.5A-125 VDC w/8 Pt TS	C2	16 Terminal Points	-16T
3-Way Path F (90 degree)	F	(2) PRISM SPDT Gold Plated 1A-24VDC w/8 Pt TS	32	26 Terminal Points	-26T
4-Way Path S (90 degree)	S	(2) ITW Mechanical DPDT 10A-250VAC w/14 Pt TS	42	High Temperature	-HT
180 degree T-port	1	(4) ITW Mechanical DPDT 10A-250VAC w/26 Pt TS	44	Contact Moniteur for additional	
180 degree L-Port - OcOc	5	(2) Tungsten TTL Prox 3A-125 VAC w/8 Pt TS	22	option codes and custom	
180 degree L-Port - OOCC	6	(4) Tungsten TTL Prox 3A-125 VAC w/14 Pt TS	24	requirements	
ANSI Green / White	G	(6) Tungsten TTL Prox 3A-125 VAC w/26 Pt TS	26		
ANSI Blue / White	B	(2) Rhodium TTL Prox 1A-24VDC w/8 Pt TS	T2		
ANSI Red / White	R	(4) Rhodium TTL Prox 1A-24VDC w/14 Pt TS	T4		
Bearing		(6) Rhodium TTL Prox 1A-24VDC w/26 Pt TS	T6		
Bronze w/Loc-Ring	B	(2) P&F NJ2-V3-N, NAMUR w/8 Pt TS	82		
303 Stainless w/Loc-Ring	S	(4) P&F NJ2-V3-N, NAMUR w/14 Pt TS	84		
		(2) P&F NBB2-V3-US, 2-wire AC/DC w/8 Pt TS	Q2		