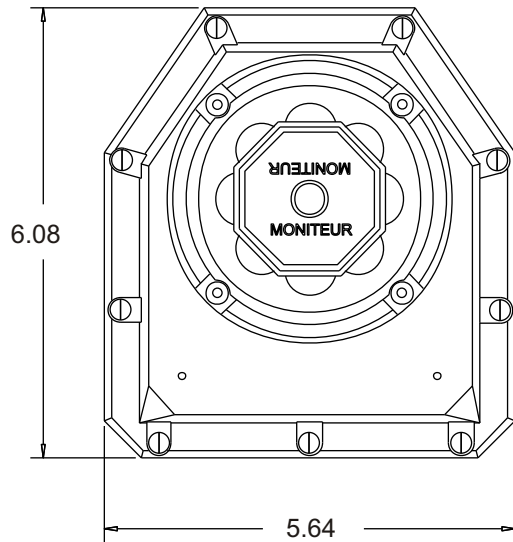
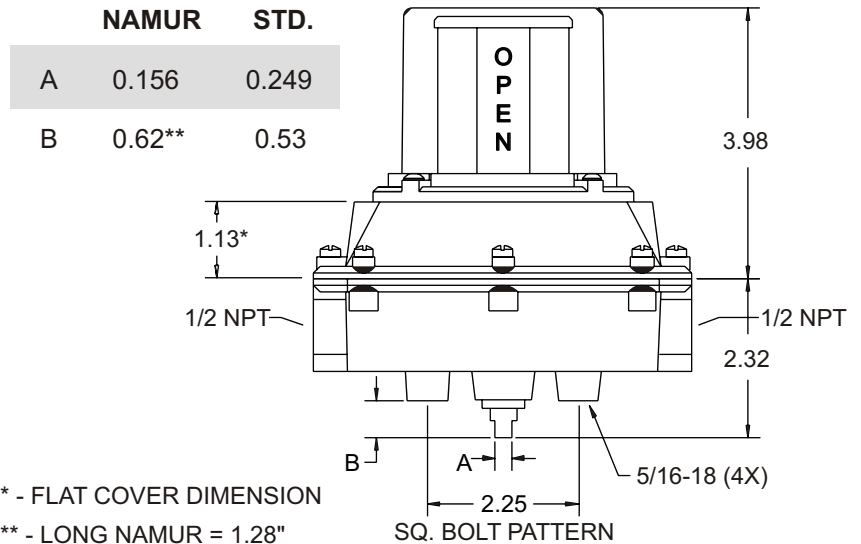


### Dimensions

### Top View



### Side View



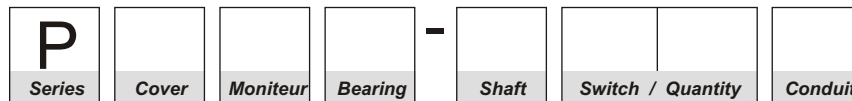
### General Specifications

Nema Rating	4,4x
Housing / Cover	Engineered Nylon
Indicator Cover	Ektar
Seals	BUNA-N
Fasteners	Stainless Steel
Terminal Points	8
Weight	1.75 lbs.
Operating Temp.	-40° F to 175° F

### How To Specify

Valve position transmitter shall be Moniteur model \_\_\_\_\_. Enclosure shall be Engineered Nylon and rated Nema 4, 4x. Visual indicator shall have 100% display change, 360° visibility and full set point adjustability. Indicator cover shall be free of decals or paint and sealed with an O-ring. Enclosure shall have captive cover bolts. Enclosure shaft shall be attached to the housing with an internal stainless steel locking ring, environmentally protected with an O-ring. The switch/sensor type shall be \_\_\_\_\_. All switches and terminals must be enclosed and marked for identification. Terminal strip must be angle-mounted for easier installation.

### Intelligent Part Numbering System - place your part number in the boxes below



Description	Code	Description	Code	Description	Code
Series: Survivor	P	Shaft		Conduit Connection	
Moniteur		Standard 303 SS	1	2 - 1/2" F NPT	0
With Indicator	M	Standard 316 SS	3	3 - 1/2" F NPT	6
Flat Cover	F	Low Profile NAMUR 303 SS	5	<u>Options</u>	
Indicator Type (open/closed)		Low Profile NAMUR 316 SS	7	Transmitter 4 - 20mA	- 420
No Indicator (Flat Cover)	N	NAMUR 303 SS	E	Potentiometer 0 - 1k	- 1K
Black / Yellow (Standard)	Y	NAMUR 316 SS	G	All Viton Seals	-V
Green / Red	A	<u>Switch/Sensor Package (Switch Code / Quantity)</u>		12 Terminal Points	-12T
Red / Green	C	(2) Mechanical SPDT 15A-250VAC w/8 Pt TS	12	16 Terminal Points	-16T
0-100% Digital	P	(4) Mechanical SPDT 15A-250VAC w/14 Pt TS	14		
3-Way Path O (90 degree)	O	(2) Mechanical SPDT 0.5A-125 VDC w/8 Pt TS	C2	Contact Moniteur for additional	
3-Way Path T (90 degree)	T	(2) PRISM SPDT Gold Plated 1A-24VDC w/8 Pt TS	32	option codes and custom	
3-Way Path F (90 degree)	F	(2) ITW Mechanical DPDT 10A-250VAC w/14 Pt TS	42	requirements	
4-Way Path S (90 degree)	S	(2) Tungsten TTL Prox 3A-125 VAC w/8 Pt TS	22		
180 degree T-port	1	(4) Tungsten TTL Prox 3A-125 VAC w/14 Pt TS	24		
180 degree L-Port - OCOC	5	(2) Rhodium TTL Prox 1A-24VDC w/8 Pt TS	T2		
180 degree L-Port - OCCC	6	(4) Rhodium TTL Prox 1A-24VDC w/14 Pt TS	T4		
ANSI Green / White	G	(2) P&F NJ2-V3-N, NAMUR w/8 Pt TS	82		
ANSI Blue / White	B	(4) P&F NJ2-V3-N, NAMUR w/14 Pt TS	84		
ANSI Red / White	R	(2) P&F NBB2-V3-US, 2-wire AC/DC w/8 Pt TS	Q2		
<u>Bearing &amp; Inserts</u>		(2) P&F NBB3-V3-Z5, 2-wire DC - NC w/8 Pt TS	J2		
Bronze w/Loc-Ring	B	(2) P&F NBB3-V3-Z4, 2-wire DC - NO w/8 Pt TS	K2		
303 Stainless w/Loc-Ring	S	(2) P&F NBB2-V3-E0 NPN 3-wire DC w/8 Pt TS	M2		
		(2) P&F NBB2-V3-E2 PNP 3-wire DC w/8 Pt TS	N2		