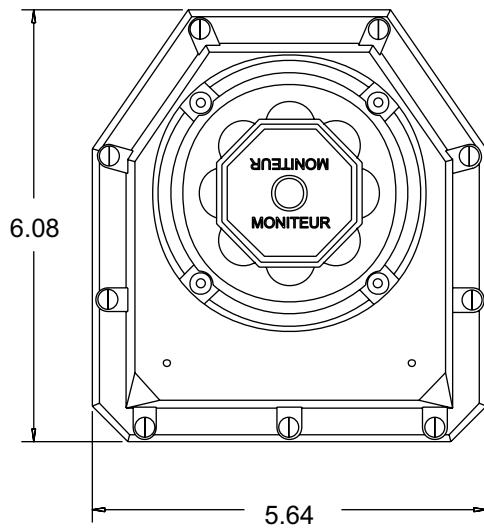


### Dimensions



### Top View

NAMUR    STD.

A	0.156	0.249
B	0.62**	0.53

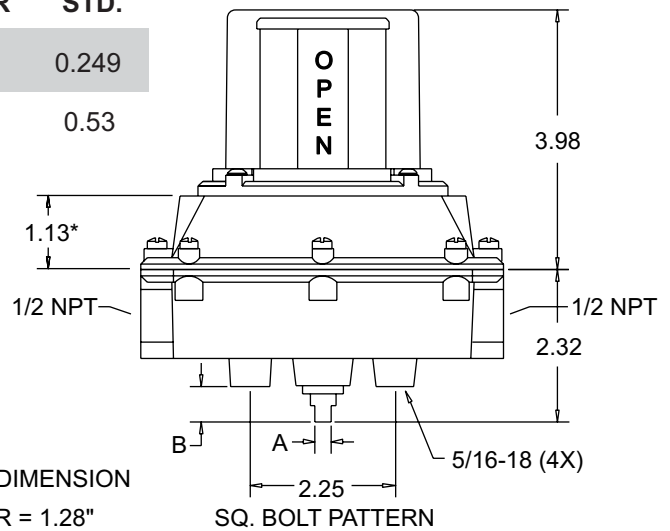


**Div 2**

\* - FLAT COVER DIMENSION

\*\* - LONG NAMUR = 1.28"

### Side View



### General Specifications

Nema Rating	4,4x
Housing / Cover	SuperTough Zytel
Indicator Cover	Ektar
Seals	BUNA-N
Fasteners	Stainless Steel
Terminal Points	8
Weight	1.75 lbs.
Operating Temp.	-40° F to 175° F

### How To Specify

Valve position transmitter shall be Moniteur model \_\_\_\_\_. Enclosure shall be SuperTough Zytel and rated Nema 4, 4x. Visual indicator shall have 100% display change, 360° visibility and full set point adjustability. Indicator cover shall be free of decals or paint and sealed with an O-ring. Enclosure shall have captive cover bolts. Enclosure shaft shall be attached to the housing with an internal stainless steel locking ring, environmentally protected with an O-ring. The switch/sensor type shall be \_\_\_\_\_. All switches and terminals must be enclosed and marked for identification. Terminal strip must be angle-mounted for easier installation.

### Industry Approvals

**CSA Div 2:** Electrical Equipment for use in Class I, Groups A, B, C, D; Class II Groups E, F, G - Division 2

### Intelligent Part Numbering System - place your part number in the boxes below



Description	Code	Description	Code	Description	Code
Series: Survivor-II	P	<u>Bearing &amp; Inserts</u>		<u>Conduit Connection</u>	
<u>Moniteur</u>		303 Stainless w/Loc-Ring		2 - 1/2" F NPT	0
With Indicator	M	<u>Shaft</u>		3 - 1/2" F NPT	6
Flat Cover	F	Standard 303 SS	1	<u>Options</u>	
<u>Indicator Type (open/closed)</u>		Standard 316 SS	3	Transmitter 4 - 20mA	- 420
No Indicator (Flat Cover)	N	Low Profile NAMUR 303 SS	5	Potentiometer 0 - 1k	- 1K
Black / Yellow (Standard)	Y	Low Profile NAMUR 316 SS	7	All Viton Seals	-V
Green / Red	A	NAMUR 303 SS	E	12 Terminal Points	-12T
Red / Green	C	NAMUR 316 SS	G	16 Terminal Points	-16T
0-100% Digital	P	<u>Switch/Sensor Package</u>		Double O-rings	-DR
3-Way Path O (90 degree)	O	(2) Tungsten TTL Prox 3A-125 VAC w/8 Pt TS	2 2		
3-Way Path T (90 degree)	T	(4) Tungsten TTL Prox 3A-125 VAC w/14 Pt TS	2 4	Contact Moniteur for additional	
3-Way Path F (90 degree)	F	(2) Rhodium TTL Prox 1A-24VDC w/8 Pt TS	T 2	option codes and custom	
4-Way Path S (90 degree)	S	(4) Rhodium TTL Prox 1A-24VDC w/14 Pt TS	T 4	requirements	
180 degree T-port	1	(2) P&F NJ2-V3-N, NAMUR w/8 Pt TS	8 2		
180 degree L-Port - OCOC	5	(4) P&F NJ2-V3-N, NAMUR w/14 Pt TS	8 4		
180 degree L-Port - OOC	6	(2) P&F NBB2-V3-US, 2-wire AC/DC w/8 Pt TS	Q 2		
ANSI Green / White	G	(2) P&F NBB3-V3-Z5, 2-wire DC - NC w/8 Pt TS	J 2		
ANSI Blue / White	B	(2) P&F NBB3-V3-Z4, 2-wire DC - NO w/8 Pt TS	K 2		
ANSI Red / White	R	(2) P&F NBB2-V3-E0 NPN 3-wire DC w/8 Pt TS	M 2		
		(2) P&F NBB2-V3-E2 PNP 3-wire DC w/8 Pt TS	N 2		