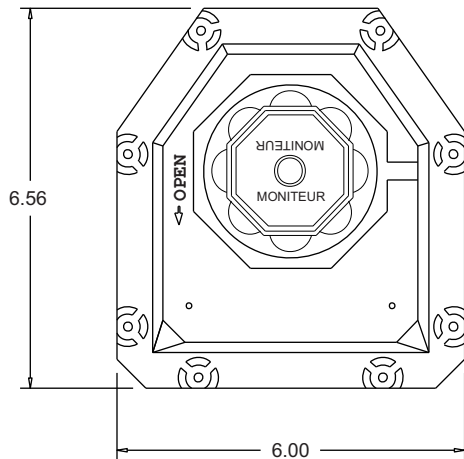


Dimensions

Top View



NAMUR STD.

A	0.156	0.249
B	0.62**	0.53

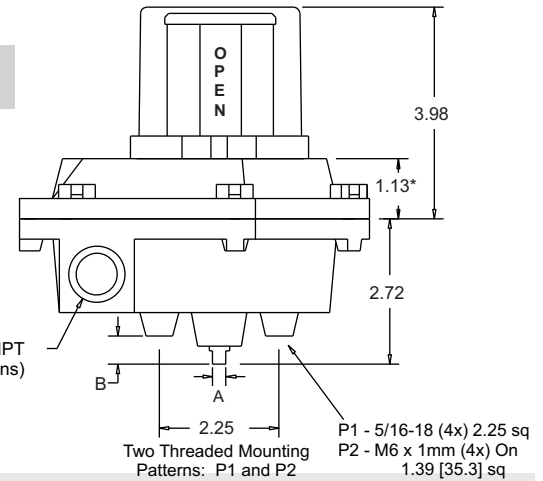


3/4 NPT
(Below for Other Options)

* - FLAT COVER DIMENSION

** - LONG NAMUR = 1.28"

Side View



General Specifications

Environmental Rating	IP66 / IP67
Housing / Cover	Aluminum
Indicator Cover	Ektar
Seals	BUNA-N
Fasteners	Stainless Steel
Terminal Points	8 to 26
Weight	4.25+ lbs.
Operating Temp.	-40° F to 174° F -40° C to 79° C
Agency Approvals	FM CSAus

How To Specify

Valve position transmitter shall be Moniteur model _____. Enclosure shall be aluminum with a polyurethane coating and Dual Rated for IECEx and ATEX hazardous Area for Flame Proof and FM North American Explosion Proof. The unit shall be TYPE 4X and IP66 / IP67 for environmental protection. Visual indicator shall have 100% display change, 360° visibility and full set point adjustability. Indicator cover shall be free of decals or paint and sealed with an O-ring. Enclosure shall have Hex Drive captive cover bolts. Enclosure shaft shall be attached to the housing with an internal stainless steel locking ring, environmentally protected with an O-ring. Internal and External Green Ground Screws with Terminal Washers shall be provided. The switch/sensor type shall be _____. All switches and terminals shall be enclosed and marked for identification. Terminal strip shall be angle-mounted for easier installation.

Hazardous Area Approvals

IECEx	II 2 G Ex d IIB +H2 T6	Ta = -40°C to +79°C, IP66/67	FM CSAus	Cl. I, Div 1, Group B*, C, D	Cl. II, Div 1, Groups E, F, G
ATEX	II 2 D Ex tb IIIC T85°C	Ta = -40°C to +79°C, IP66/67	TYPE 4X	Ta = -40°C to +79°C, IP66/67 TYPE 4X	

* - Mech Switches Grp C & D Only

Intelligent Part Numbering System - place your part number in the boxes below

S							
Series	Cover	Moniteur	Bearing	Shaft	Switch	Quantity	Conduit

Description	Code	Description	Code	Description	Code
Series: Sentinel S3	S	Shaft		Conduit Connection	
Moniteur		Standard 303 SS	1	2 - 3/4" F NPT	0
With Indicator	M	Standard 316 SS	3	3 - 3/4" F NPT	5
Flat Cover	F	Low Profile NAMUR 303 SS	5	2 - 3/4" F NPT + 1 - 1/2" F NPT	6
Indicator Type (open/closed)		Low Profile NAMUR 316 SS	7	1 - 3/4" F NPT + 1 - 1/2" M NPT	8
No Indicator (Flat Cover)	N	NAMUR 303 SS	E	2 - M20	A
Black / Yellow (Standard)	Y	NAMUR 316 SS	G	3 - M20	B
Green / Red	A	Switch/Sensor		2 - M25	E
Red / Green	C	Mechanical SPDT 15A-250VAC 0.5A-125 VDC	1	3 - M25	F
0-100% Digital	P	Tungsten TTL Prox 3A-125 VAC	2	Options	
3-Way Path O (90 degree)	O	PRISM SPDT Gold Plated 1A-24VDC	3	Transmitter 4 - 20mA	- WT1
3-Way Path T (90 degree)	T	ITW Mechanical DPDT 10A-250VAC	4	Potentiometer 0 - 1k	- WR1
3-Way Path F (90 degree)	F	P&F NJ2-V3-N, NAMUR	8	Hard Anodized Enclosure	- H16
4-Way Path S (90 degree)	S	Rhodium TTL Prox 1A-24VDC	T	12 Terminal Points	-US12
180 degree T-port	1	P&F NBB2-V3-E2, 3-wire 10-30VDC	N	16 Terminal Points	-US16
180 degree L-Port - OcOc	5	P&F NBB2-V3-US, 2-wire AC/DC	Q	26 Terminal Points	-US26
180 degree L-Port - OOcc	6	Switch Quantity	0-6	Contact Moniteur for additional option codes and custom requirements	
ANSI Green / White	G	Max Dependent Upon Switch Type			
ANSI Blue / White	B				
ANSI Red / White	R				
Bearing					
Bronze w/Loc-Ring	B				
303 Stainless w/Loc-Ring	S				