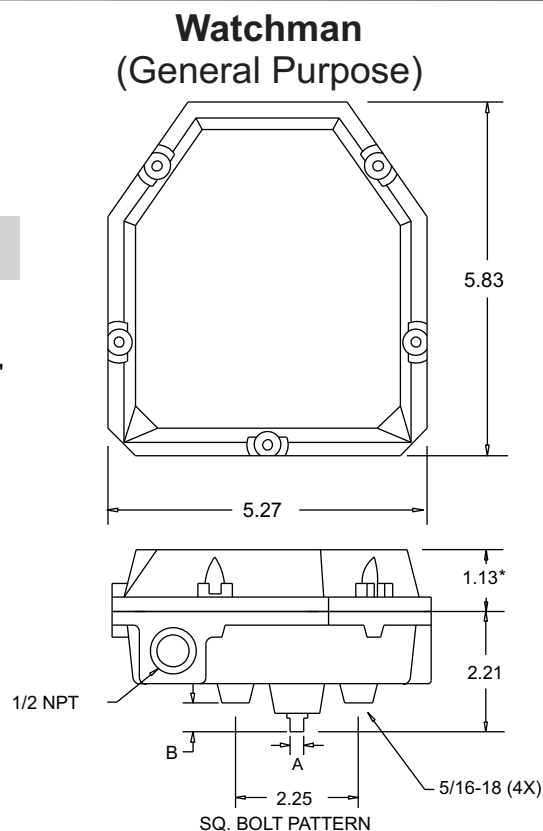


Dimensions

	NAMUR	STD.
A	0.156	0.249
B	0.62**	0.53

** - LONG NAMUR = 1.28"



Specifications - 212° Rating - (switch 1)

Nema Rating	(Watchman)	4, 4X
	(Sentinel)	4, 4X, 7, 9
Housing / Cover		Aluminum
Seals		Viton
Fasteners		Stainless Steel
Terminal Points		8
Operating Temp.		-40° F to 212° F

Specifications - 212° Rating - (switch 2 or T)

Nema Rating	(Watchman)	4, 4X
	(Sentinel)	4, 4X, 7, 9
Housing / Cover		Aluminum
Seals		Viton
Fasteners		Stainless Steel
Terminal Points		8
Operating Temp.		-40° F to 212° F

Intelligent Part Numbering System



Description	Code	Description	Code	Description	Code
Series:		Shaft		Conduit (Watchman)	
Sentinel (Ex-Proof)	A	Standard 303 SS	1	(2) 1/2" F NPT	0
Watchman (Nema 4)	F	Standard 316 SS	3	(3) 1/2" F NPT	6
Cover		NAMUR 303 SS	5	Conduit (Sentinel)	
Flat Cover (No Moniteur)	F	NAMUR 316 SS	7	(2) 3/4" F NPT	0
Moniteur		Long NAMUR 303 SS	E	(3) 3/4" F NPT	5
No Indicator	N	Switch Package		Temperature Rating	
Bearing		(2) Cherry 15A		High Temperature	-HT
Bronze	B	SPDT Mechanical	1		
		(2) Tungsten TTL 1A/125 VAC			
		SPDT Non-Contact	2		
		(2) Rhodium TTL 1A / 24 VDC			
		SPDT Non-Contact	T		